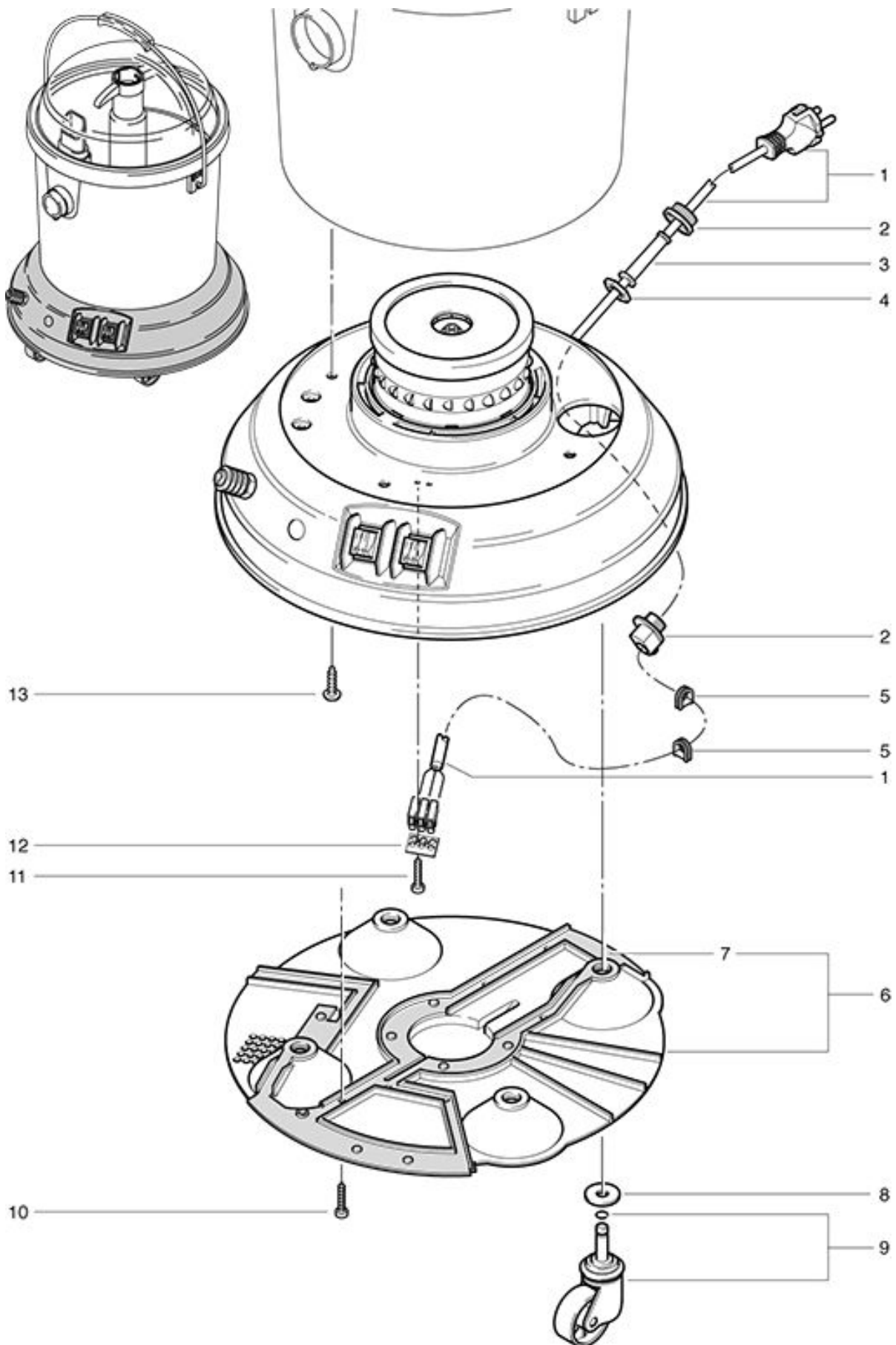


Home-Cleaner Housing

As at: 11/21/11 Time:08:42



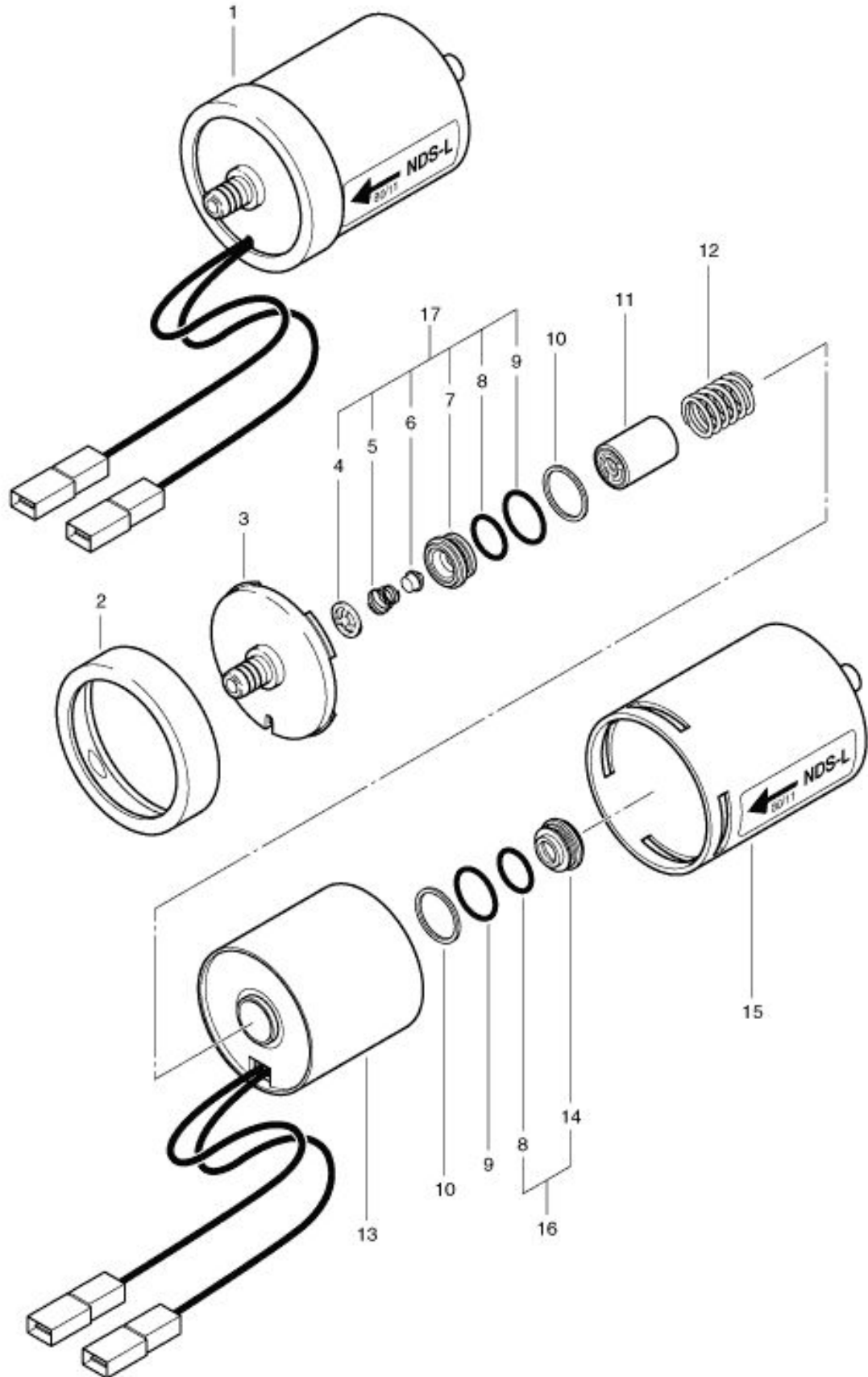
Home-Cleaner Housing

As at: 11/21/11 Time:08:42

Pos.	Description	Reference
01	Electr. Connection 7,5 m SEV	P...287
01	Electr. Connection 7,5 m VDE	P...288
01	Electr. Connection 7,5 m GB	P...277
02	Cable clamp	P...279
03	Cable grommet	P...280
04	Conter nut	P...279 H
05	Grommet 14x16 mm	P...014 A
06	Bottom plate with abs. sheet	P...023
07	Noise absorbing sheet	P...023 A
08	Washer M 10	P...496 S
09	Castor Ø 55 mm	P...028 A
10	Cyl. Screw 2,9x13 mm	P...482 F
11	Cyl. Screw 2,9x16 mm	P...482 E
12	Marking plate	P...390
13	PT-screw 50x15 mm	P...482 H

Home-Cleaner Pump

As at: 11/21/11 Time:08:42



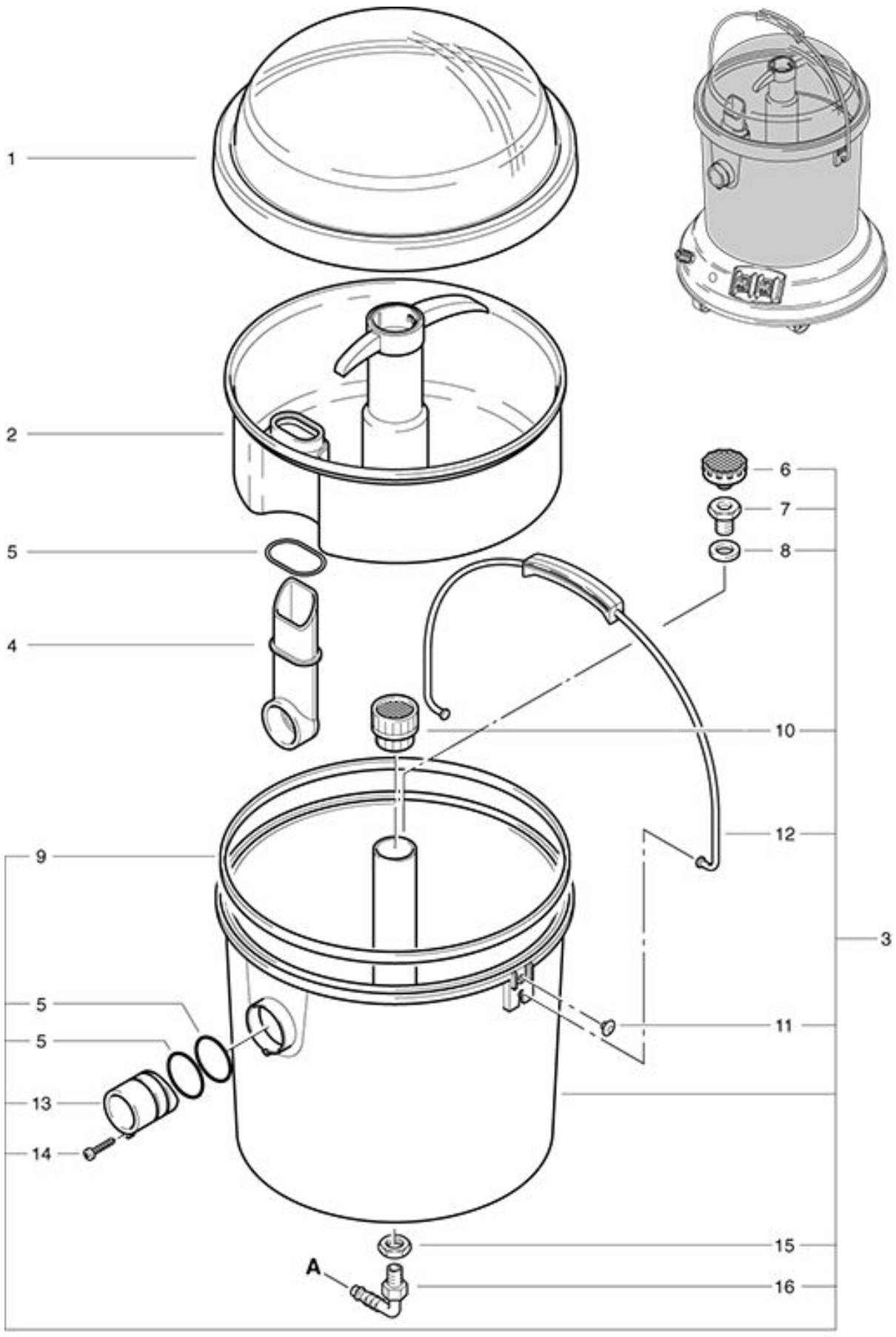
Home-Cleaner Pump

As at: 11/21/11 Time:08:42

Pos.	Description		Reference
01	NDS-L - pump	220-240V 50Hz	P...815
01.	NDS-L - pump	24V DC	P...815 L
02	Ring		P...815 H
03	Cover		P...815 B
04	Counter ring		P...809 N
05	Valve spring		P...809 P
06	Valve cone		P...810 S
07	Valve seating		P...809 Q
08	O-ring 12x1,5 mm		P...809 L
09	O-ring 14x1,5 mm		P...809 K
10	Counter ring		P...815 X
11	Piston		P...809 B
12	Pressure spring for piston		P...809 E
13	Housing pipe		P...815 D
14	Spring support		P...809 F
15	Raising NDS-L		P...815 A
16	Spring support compl. Including: items 8+14		P...811 X
17	Valve seating compl. Including: items 4-9		P...811 Y

Home-Cleaner Tank

As at: 11/21/11 Time:08:43



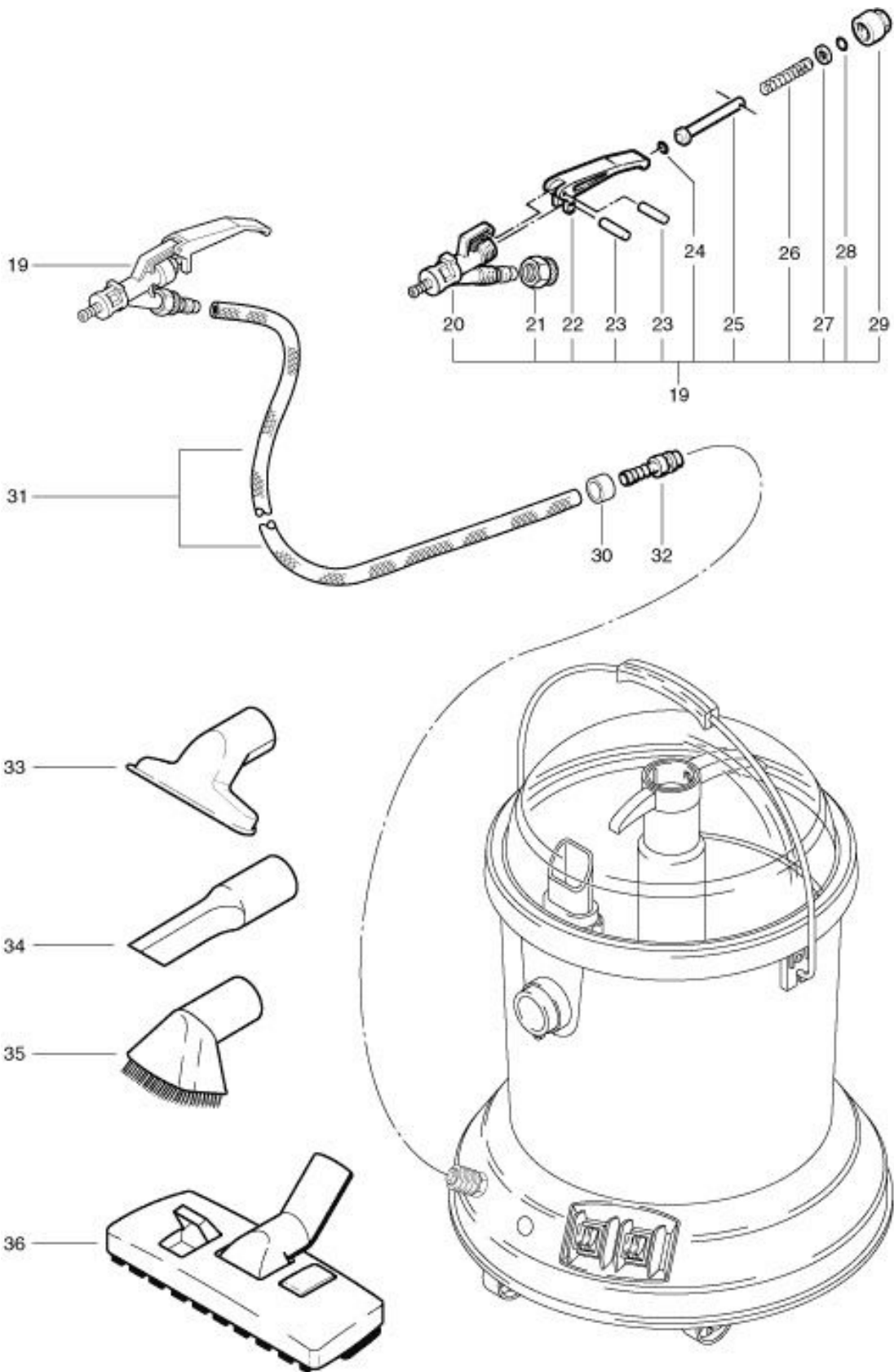
Home-Cleaner Tank

As at: 11/21/11 Time:08:43

Pos.	Description	Reference
01	Cap	P...007
02	Recovery tank	030.007
03	Complete tank including Items 5-16	030.001 S
04	Inlet pipe	P...025
05	O-ring Ø 35x3 mm	P...024
06	Water filter	P...106
07	Reducer 3/8 - 1/4	P...535 A
08	Gasket 30/17x2 mm	P...097
09	Tightness cord 320x7,5x4,8 mm	P...052
10	Air filter	P...071
11	Clamping button	P...070 D
12	Handle	P...009
13	Hose connector	P...026
14	Screw 3,5x15 mm	P...482 G
15	Hexagon nut 3/8	P...535 B
16	Angled hose nipple 8-1/4	P...541 H

Home-Cleaner Tool set

As at: 11/21/11 Time:08:43



Home-Cleaner

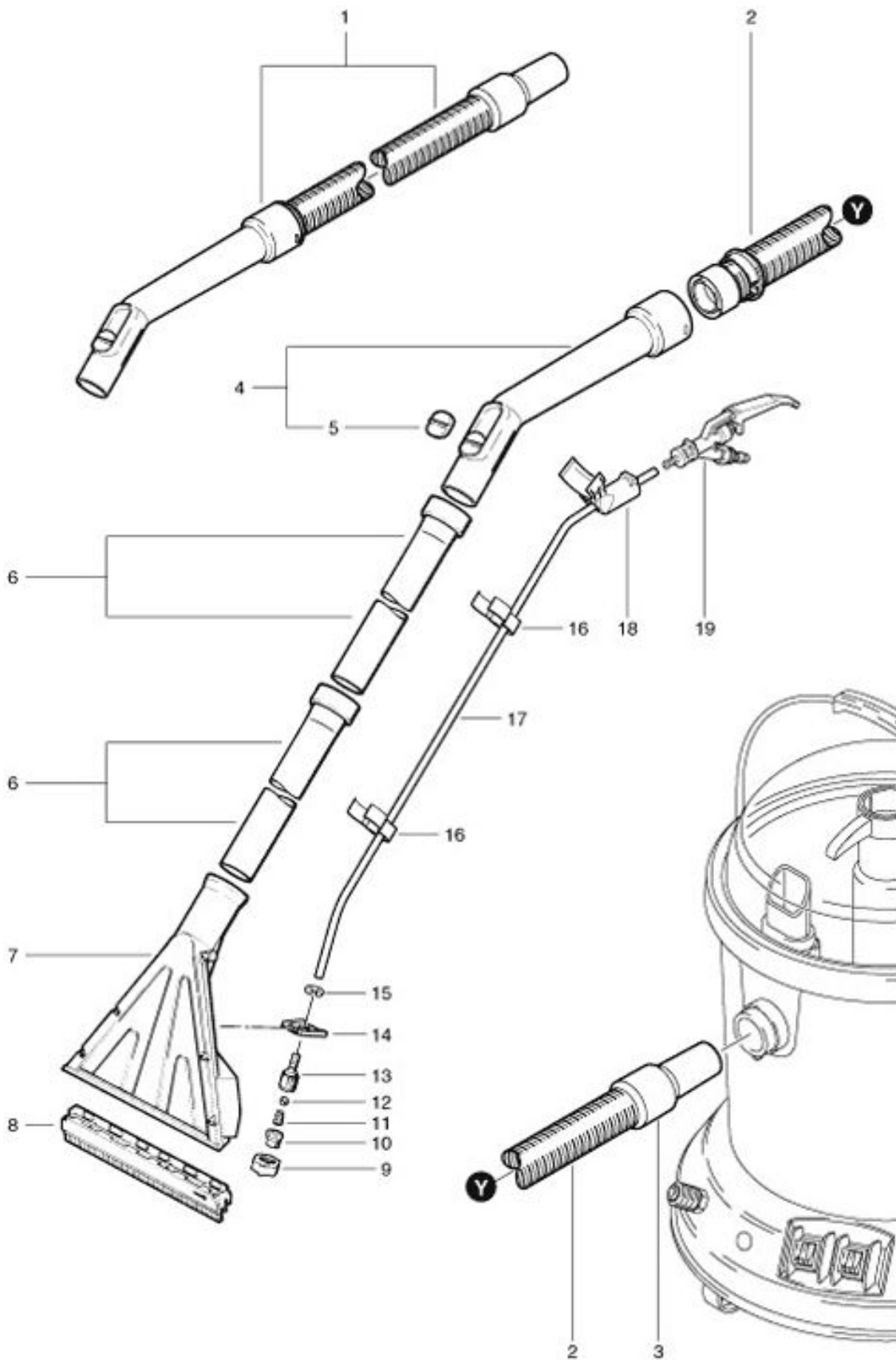
Tool set

As at: 11/21/11 Time:08:43

Pos.	Description	Reference
19	Spraying valve with fitting including Items 2-5	900.681
20	Valve body	P...681 A
21	Cup nut	P...523 H
22	Lever	P...681 C
23	Cyl. Pin Ø 1,5x14,5 mm	P...681 K
24	O-ring Ø 5,23 mm	P...681 F
25	Valve pin	P...681 D
26	Valve spring	P...681 E
27	Washer M 5	P...497 G
28	O-ring Ø 5 mm	P...681 G
29	Cap nut	P...681 B
30	Locking sleeve Ø 10 mm	900.167
31	Sprühschlauch 6/8x2420 mm	900.666
32	Male connector	P...501 D
33	Upholstery tool	645.004
34	Crevice tool	645.006
35	Brush nozzle	645.005
36	Carpet hardfloor tool	645.103

Home-Cleaner
Vacuuming tools

As at: 11/21/11 Time:08:43



Home-Cleaner

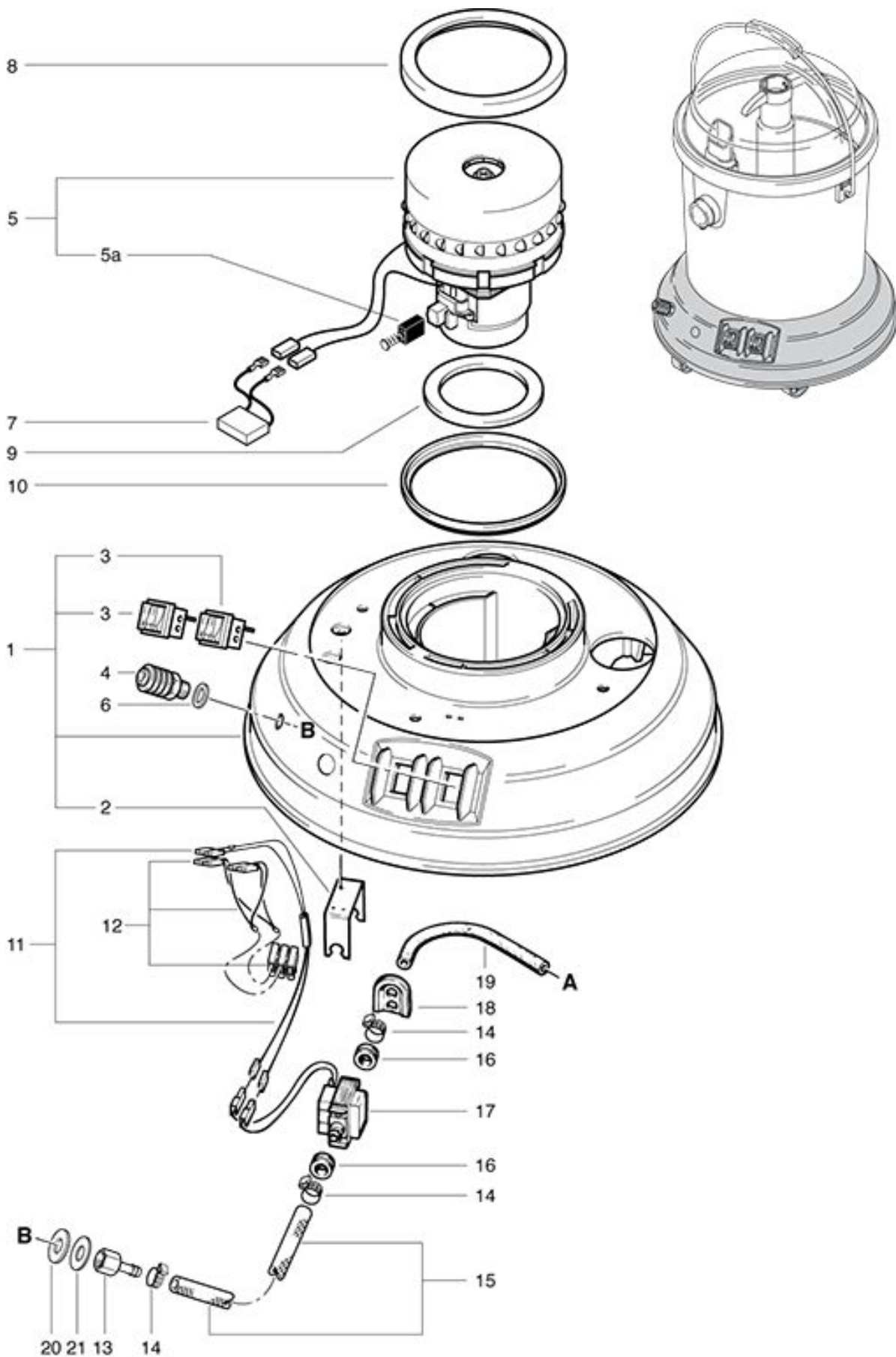
Vaccuming tools

As at: 11/21/11 Time:08:43

Pos.	Description	Reference
01	Suction hose complete, including items 2-5	030.660
02	Suction hose	900.569
03	Hose end connector	P...576
04	Toolhandle compl.	900.670
05	Slide	P...581 B
06	Chromed tube	645.002
07	Suction nozzle, 23 cm, purple transparent	P...600 I
08	Hardfloor slide	P...600 W
09	Cap nut 3/8"	P...602 D
10	Spraying jet white	P...602 C
11	Pressure spring	P...444 E
12	Ball	P...172 W
13	Holder for nozzle	P...602 E
14	Mounting bracket for nozzle	P...602 I
15	Locking washer Ø 9 mm	P...499 N
16	Hose clip	P...670
17	Pressure hose 6/8x1045 mm	P...665
18	Triffer mounting braket	606.020
19	Spraying with fitting	900.681

Home-Cleaner Vacuum motor

As at: 11/21/11 Time:08:44



Home-Cleaner

Vacuum motor

As at: 11/21/11 Time:08:44

Pos.	Description	Reference
01	Housing complete, including Items 2+3	030.011 S
02	Pump holder ALU	P...207 B
03	Tumbler switch	P...240
04	Female quick connector 1/4 AG	P...500 B
05	Vacuum motor, 1000W, OEP	P...870 E
05a	Carbon brush (Pair) OEP	P...870 KB
06	Seal 20x13x2 mm	030.015
07	Capacitor 0,1uF	P...391
08	Profile sealing, black, OEP	P...971 C
09	Packing ring 115/78x10 mm	P...013
10	Profile, blue, OEP	P...971 G
11	Cable strand with diode	030.367
12	Cable strand with clamp	P...389
13	Male connector NW 8-1/4"	P...525 K
14	Hose clamp 14,5 mm	P...550 A
15	Hose 400 mm	030.021
16	Grommet 14/8/2	P...207 A
17	NDS-L - pump	P...815
18	Seal 42x45 mm	030.014
19	Hose 360 mm	030.020
20	Seal 30x13x2 mm	030.016
21	Washer M 12	P...496 A