

# ATTIX 50 PC, XC, EC, Clean Room

Model:  
ATTIX 50-01 PC  
ATTIX 50-21 PC  
ATTIX 50-21 XC



Part List US-English

16-10-2013

**Nilfisk**  
**ALTO**  
works for you

[www.nilfisk-alto.com](http://www.nilfisk-alto.com)

# Table of Contents

ATTIX 50 PC, XC, EC, Clean Room

<b>Cabinet Push Clean &amp; Basic &amp; XC</b>	<b>3</b>
<b>Cabinet EC and Clean Room</b>	<b>6</b>
<b>Filtersystem Push Clean &amp; Basic</b>	<b>8</b>
<b>Filtersystem XC</b>	<b>10</b>
<b>Motor Basic and Push Clean</b>	<b>12</b>
<b>Motor XC</b>	<b>14</b>
<b>Motor EC and Clean Room</b>	<b>16</b>
<b>Container ATTIX 50</b>	<b>18</b>
<b>Default accessories</b>	<b>20</b>
<b>RECOMMENDED SPARE PARTS</b>	<b>22</b>

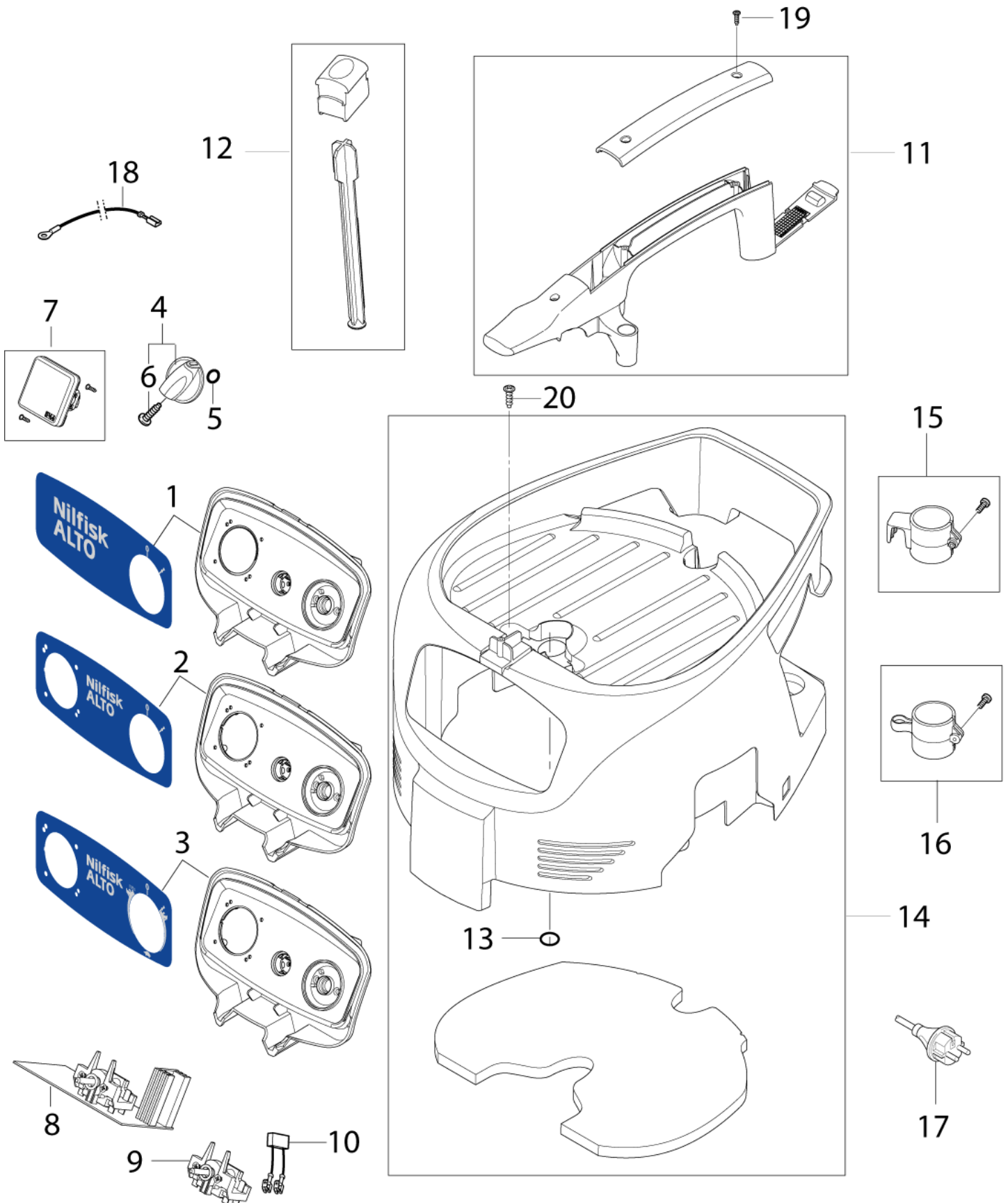
# Cabinet Push Clean & Basic & XC

ATTIX 50 PC, XC, EC, Clean Room

16-10-2013

Part List ID  
ATTIX3002

3



# Cabinet Push Clean & Basic & XC

ATTIX 50 PC, XC, EC, Clean Room

16-10-2013

Part List ID  
A111X3002

4

Pos	Part no.	Qty	Description	
0	302003502	1	BOX KIT ATTIX 30	
0	302003503	1	BOX KIT ATTIX 40	
0	302003504	1	BOX ATTIX 50	
1	302004047	1	SWITCHBOX NILFISK-ALTO 01PC	
2	302004048	1	SWITCHBOX NILFISK-ALTO 11PC	
3	302004049	1	SWITCHBOX NILFISK-ALTO 21PC	for Push clean and XC
4	909100204	1	ROTARY KNOB 6X5 BLUE	
5	9868	1	O-RING 10.2X2.5 NBR 70	
6	32526	1	TREAD-CUTTING SCREW 2.9X19 C ISO 1483 ZN	
7	107400057	1	SOCKET 16A/110V GB	
7	107400058	1	SOCKET 16A/250V GB	
7	107400059	1	SOCKET 16A/250V CH	
7	107400060	1	SOCKET 16A/250V DK	
7	302004034	1	SOCKET 16A/250V EU	
7	302004036	1	SOCKET 16A/250V FR	
7	302004338	1	SOCKET 15A/125V US/CSA	
8	107400260	1	AUTO ON-OFF PCB XC 230-240V	230-240V
8	107400261	1	AUTO ON-OFF PCB XC 100-120V	100-120V
8	107400470	1	AUTO ON-OFF ELECTRONIC PC	for -21 PC (100-120V)
8	302004011	1	AUTO ON-OFF SWITCH ELECTRONIC	for -21 PC (230-240V)
8	302004060	1	AUTO ON-OFF SWITCH E.SOFTSTART	for -11 PC & -01 PC with softstart (230-240V)
9	302004035	1	ON-OFF SWITCH	for -01 PC without softstart
10	48338	1	ANTI-INTERFERENCE CAPACITOR	
11	107400062	1	HANDLE	for Push clean
11	302004050	1	HANDLE	Basic/XC
12	302004051	1	FILTER DEDUSTER	Only Push Clean models
13	302004061	1	O-RING 25X2 NBR 70	
14	107400061	1	COVER BLACK XC BASIC	
14	302004046	1	COVER BLACK PC	
15	302004027	1	TUBE HOLDER HOOK	
16	107400064	1	TUBE HOLDER SNAP	
17	107400266	1	CORD H05RR-F 2X0.75 CH	
17	107400267	1	CORD H05RR-F 3G1.0 CH	
17	107400268	1	CORD H05RR-F 2X0.75 GB	
17	107400270	1	CORD H05RR-F 3G1.5 BS1 363 GB	
17	107400271	1	CORD H07BQ-F 3G2.5 GB	
17	107400272	1	CORD H05RR-F 3G1.5 ZA	
17	107402641	1	POWER CORD H05RR-F 3G1.5X8X2	
17	107402642	1	POWER CORD H05RR-F 3G1.0X8.2	
17	107402644	1	POWER CORD H05RR-F2X0.75X8.25	
17	302000882	1	POWER CORD SJTW-AWG16/3X8	
17	302004014	1	CORD H07RN-F2X1X8.05 CEE7 EU	
17	302004038	1	POWER CORD H07RN-F2X1X8.05	

# Cabinet Push Clean & Basic & XC

ATTIX 50 PC, XC, EC, Clean Room

16-10-2013

Part List ID  
A111X3002

5

Pos	Part no.	Qty	Description
17	302004039	1	CORD H05RR-F3GX0.75AS3112 AUNZ
17	302004040	1	CORD SJTW-A AWG16/2 JP
18	107400263	1	WIRE 2.5 X 250 YE/GR 100-120V
18	107400264	1	WIRE 1 X 150 220-240V
19	302004032	1	SCREW 3.5X18
20	302004029	1	SCREW 5X18

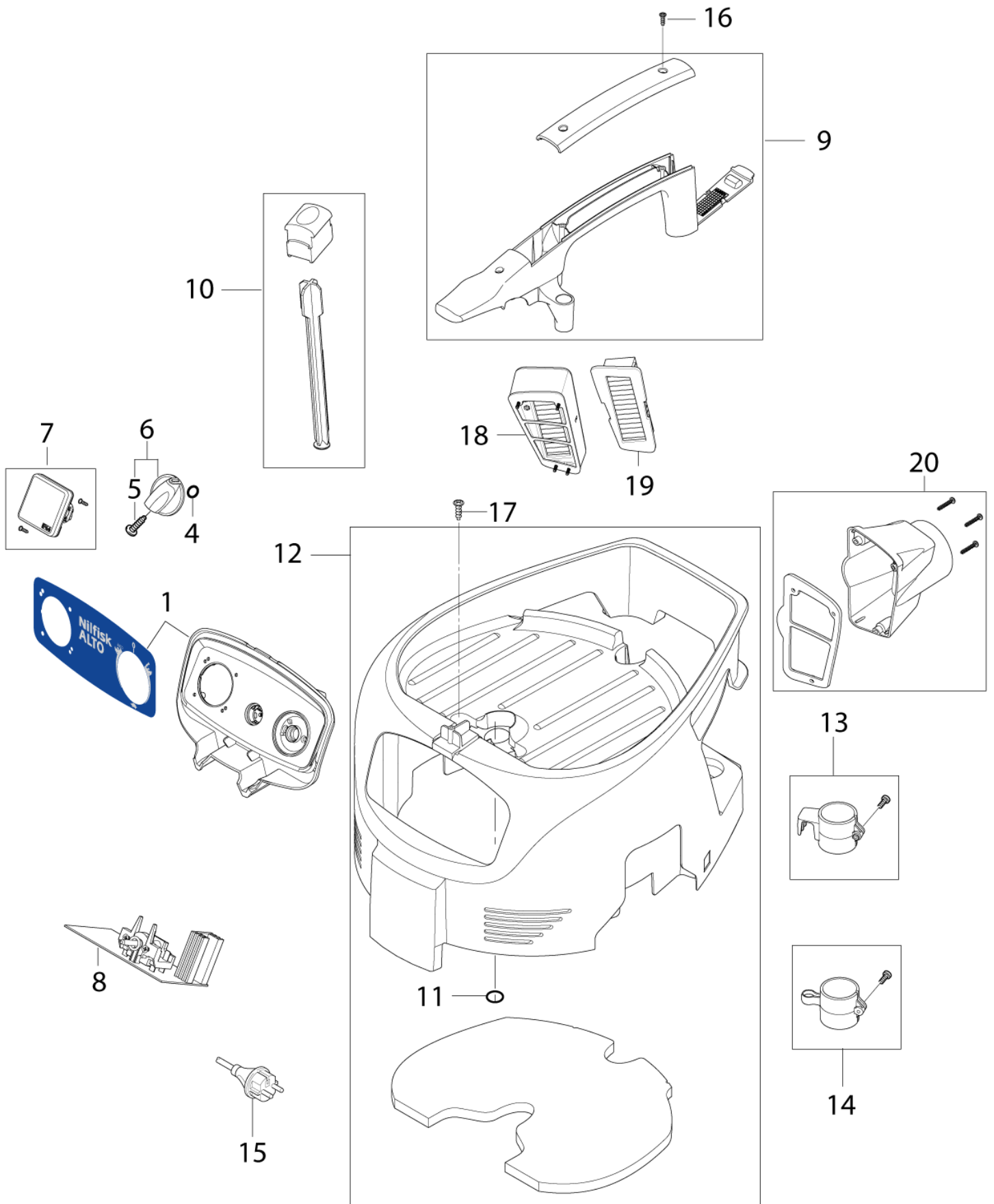
# Cabinet EC and Clean Room

ATTIX 50 PC, XC, EC, Clean Room

16-10-2013

Part List ID  
ATTIX5012

6



# Cabinet EC and Clean Room

ATTIX 50 PC, XC, EC, Clean Room

16-10-2013

Part List ID  
A11IX5012

7

Pos	Part no.	Qty	Description	
1	302004049	1	SWITCHBOX NILFISK-ALTO 21PC	
4	9868	1	O-RING 10.2X2.5 NBR 70	
5	32526	1	TREAD-CUTTING SCREW 2.9X19 C ISO 1483 ZN	
6	909100204	1	ROTARY KNOB 6X5 BLUE	
7	302004034	1	SOCKET 16A/250V EU	
8	107400730	1	ELECTRONICS 21 PC EC 230V SET1	
9	107400062	1	HANDLE	
10	302004051	1	FILTER DEDUSTER	
11	302004061	1	O-RING 25X2 NBR 70	
12	302004046	1	COVER BLACK PC	
13	302004027	1	TUBE HOLDER HOOK	
14	107400064	1	TUBE HOLDER SNAP	
15	107402641	1	POWER CORD H05RR-F 3G1.5X8X2	
16	302004032	1	SCREW 3.5X18	
17	302004029	1	SCREW 5X18	
18	302003721	1	MOTOR COOLING FILTER KIT	Only Clean Room
19	107400453	1	FILTER FOR MOTOR COOLING 30/40/50	Only Clean Room
20	302003717	1	EXHAUST AIR COLLECTOR	Only Clean Room

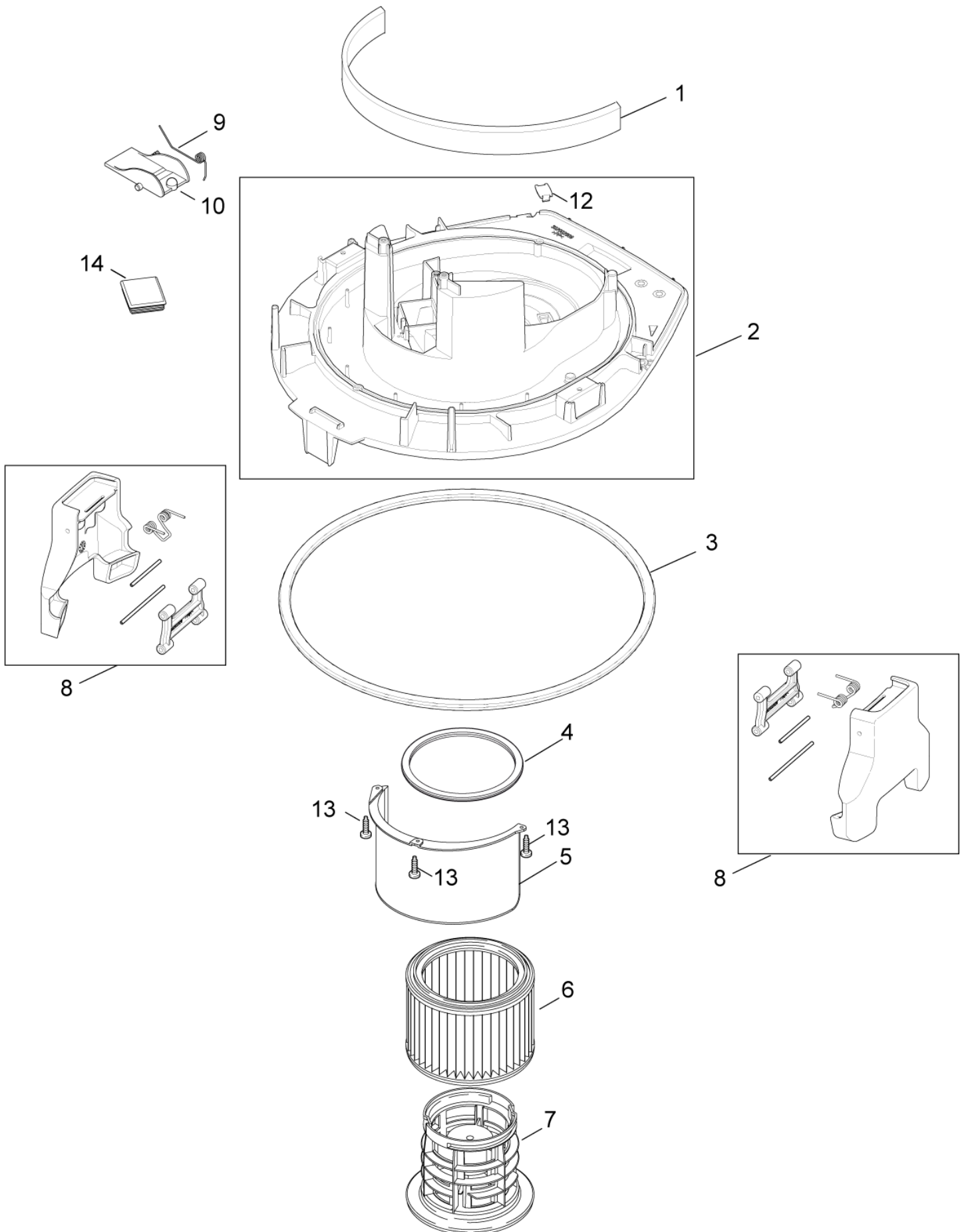
# Filtersystem Push Clean & Basic

ATTIX 50 PC, XC, EC, Clean Room

16-10-2013

Part List ID  
ATTIX3003

8





# Filtersystem Push Clean & Basic

ATTIX 50 PC, XC, EC, Clean Room

16-10-2013

Part List ID  
A111X3003

9

Pos	Part no.	Qty	Description
1	302004010	1	SOUND INSULATION FRONT
2	302004007	1	BASEPLATE PC
3	107400056	1	GASKET FOR CONTAINER ATTIX 50
3	302004008	1	GASKET FOR CONTAINER ATTIX 30
4	302000460	1	GASKET FILTER
5	302004016	1	DEFLECTOR
6	302000490	1	FILTER ELEMENT Ø185X140 PET M-CLASS
6	302000658	1	FILTER ELEMENT Ø211X140 H-CLASS FOR ATTIX 50-21 PC CLEAN ROOM
6	302001095	1	FILTER ELEMENT Ø185X140 HEPA HEPA
7	107402646	1	FILTER SUPPORT CAGE ATTIX PP
8	107400301	2	CONTAINER CLAMP * SEE NOTE
9	909100083	1	TORSION SPRING D0.9X18X45 INOX
10	302000344	1	FLAP 79X53X25 ATTIX 30
12	107401937	1	PLUG BASE PLATE KIT For machines up to week 35.2011
13	302004029	1	SCREW 5X18
14	302004058	1	PLUG FOR BASIC

\* NOTE TSB Vac-092 clamp and container

For machines produced before serial number 09110030030 use Container upgrade kit 107400311, ATTIX 30 or

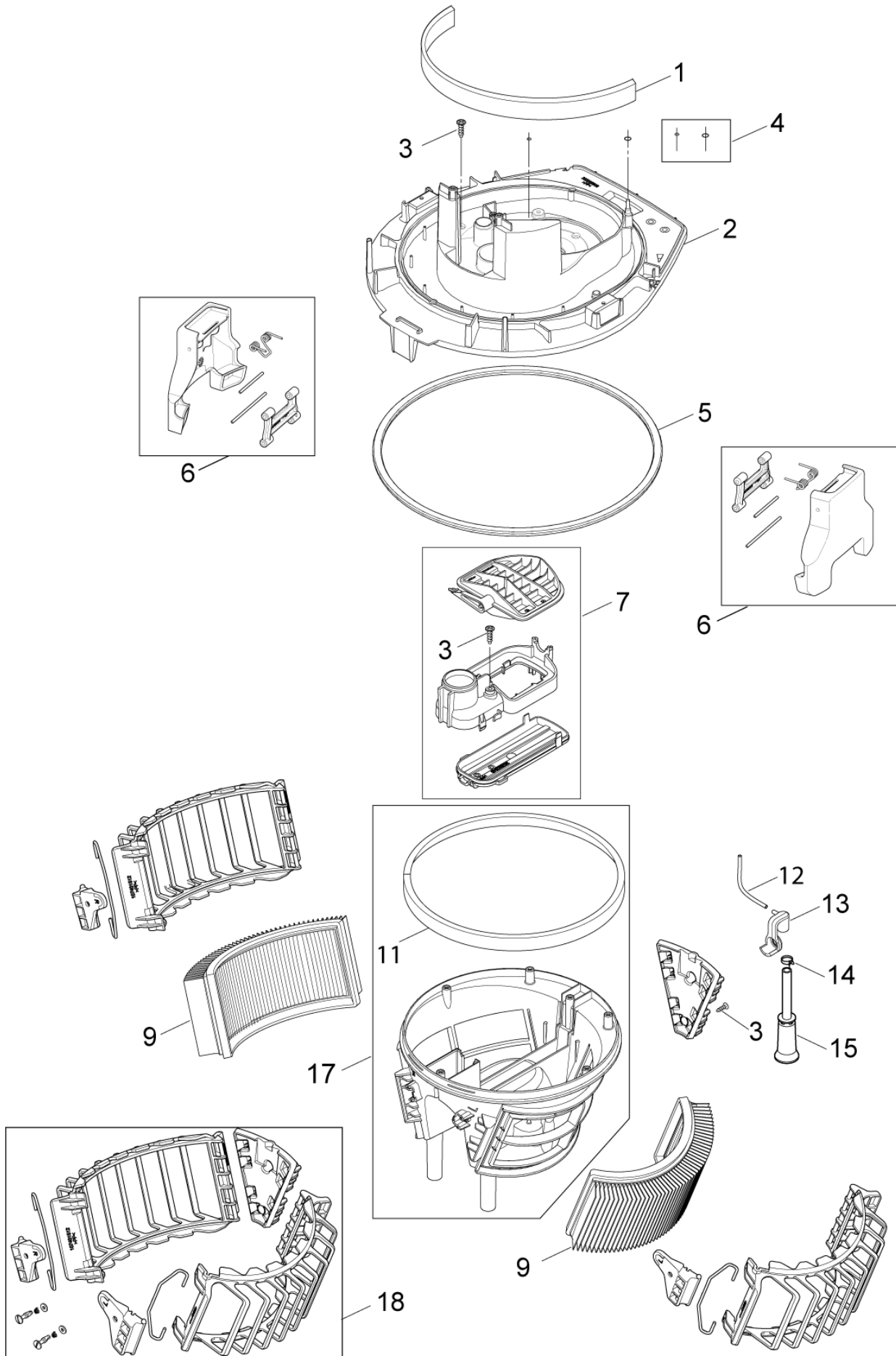
# Filtersystem XC

ATTIX 50 PC, XC, EC, Clean Room

16-10-2013

Part List ID  
ATTIX50XC10

10



# Filtersystem XC

ATTIX 50 PC, XC, EC, Clean Room

16-10-2013

Part List ID  
A111X50XC10

11

Pos	Part no.	Qty	Description
1	302004010	1	SOUND INSULATION FRONT
2	107400300	1	BASEPLATE XC
3	302004029	9	SCREW 5X18
4	107400274	1	O-RING XC KIT
5	107400056	1	GASKET FOR CONTAINER
6	107400301	2	CONTAINER CLAMP
7	107400277	1	CX FLAP KIT
9	302002842	2	FLAT FILTER PET NANO M-CLASS SET 2 PCS
11	107400283	1	SEALING FOR XC
12	107400855	1	HOSE D3X1.5 TURBINE SIDE XC
13	107400310	1	MOUNT FOR WATERLEVEL CONTROL
14	107400285	1	BAND CLAMP FITTING
15	107400303	1	HOSE D42X155 FILL LEV. SHUTOFF
17	107400302	1	FILTERBRACKET XC
18	107402255	1	FILTER MOUNTING KIT XC

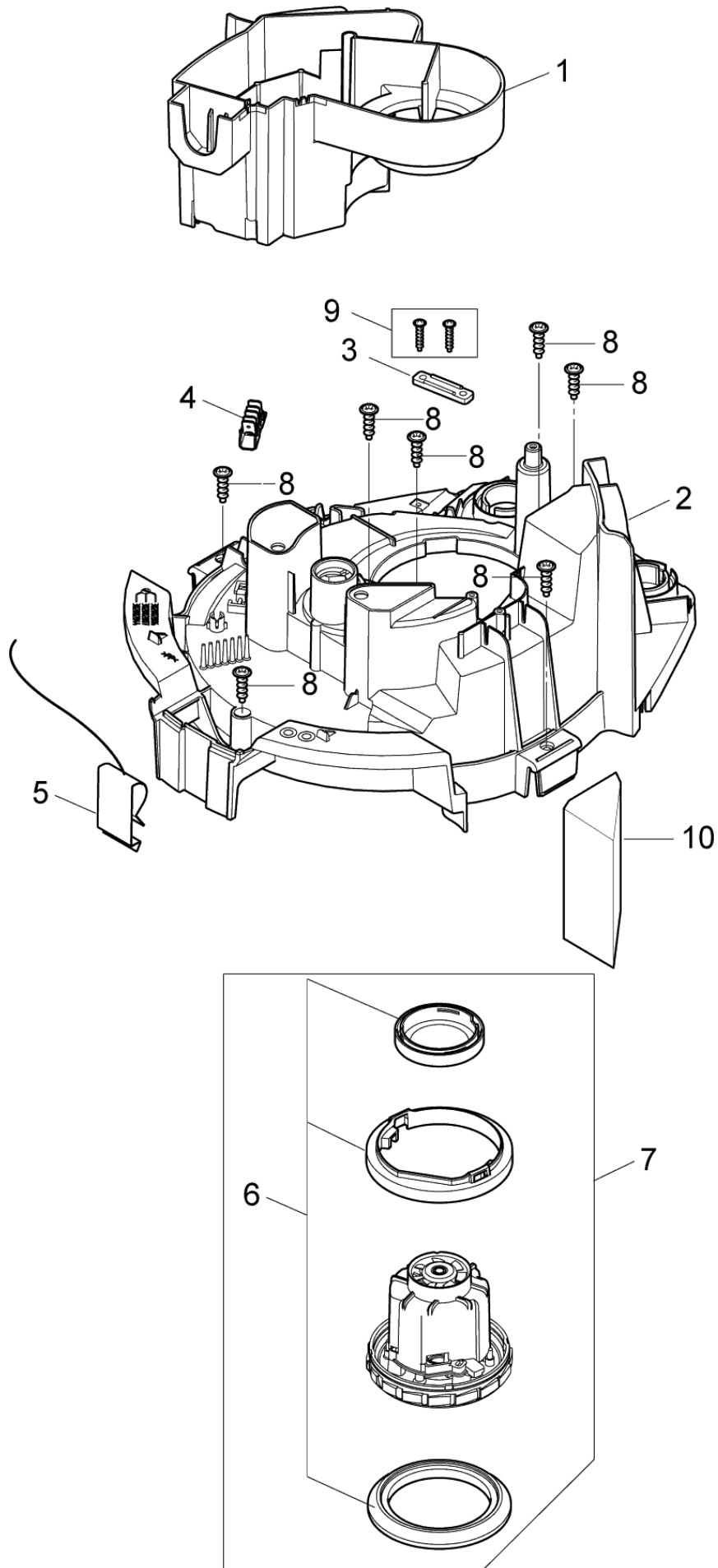
# Motor Basic and Push Clean

ATTIX 50 PC, XC, EC, Clean Room

16-10-2013

Part List ID  
ATTIX3005

12



# Motor Basic and Push Clean

ATTIX 50 PC, XC, EC, Clean Room

16-10-2013

Part List ID  
A11IX3005

13

Pos	Part no.	Qty	Description
1	302004015	1	AIRGUIDE * See note
2	302004009	1	CLAMPINGPLATE PC
3	302004030	1	STRAP FOR CABLE
4	302004031	1	DISTRIBUTION STRIP 6-POL 16A
5	302004023	1	CONTACT SPRING
6	302003385	1	SEALING KIT R
7	302003384	1	MOTOR KIT 1200W 230V
7	302003388	1	MOTOR KIT 1000W 120V
7	302004006	1	MOTOR 1200W/100V JP W.GASKET
8	302004029	1	SCREW 5X18
9	302004032	1	SCREW 3.5X18
10	302004045	1	SOUND INSULATION OUTLET

\* Note: During service or repair of vacuum head always change Airguide 302004015 and Cover for air circuit 107401051

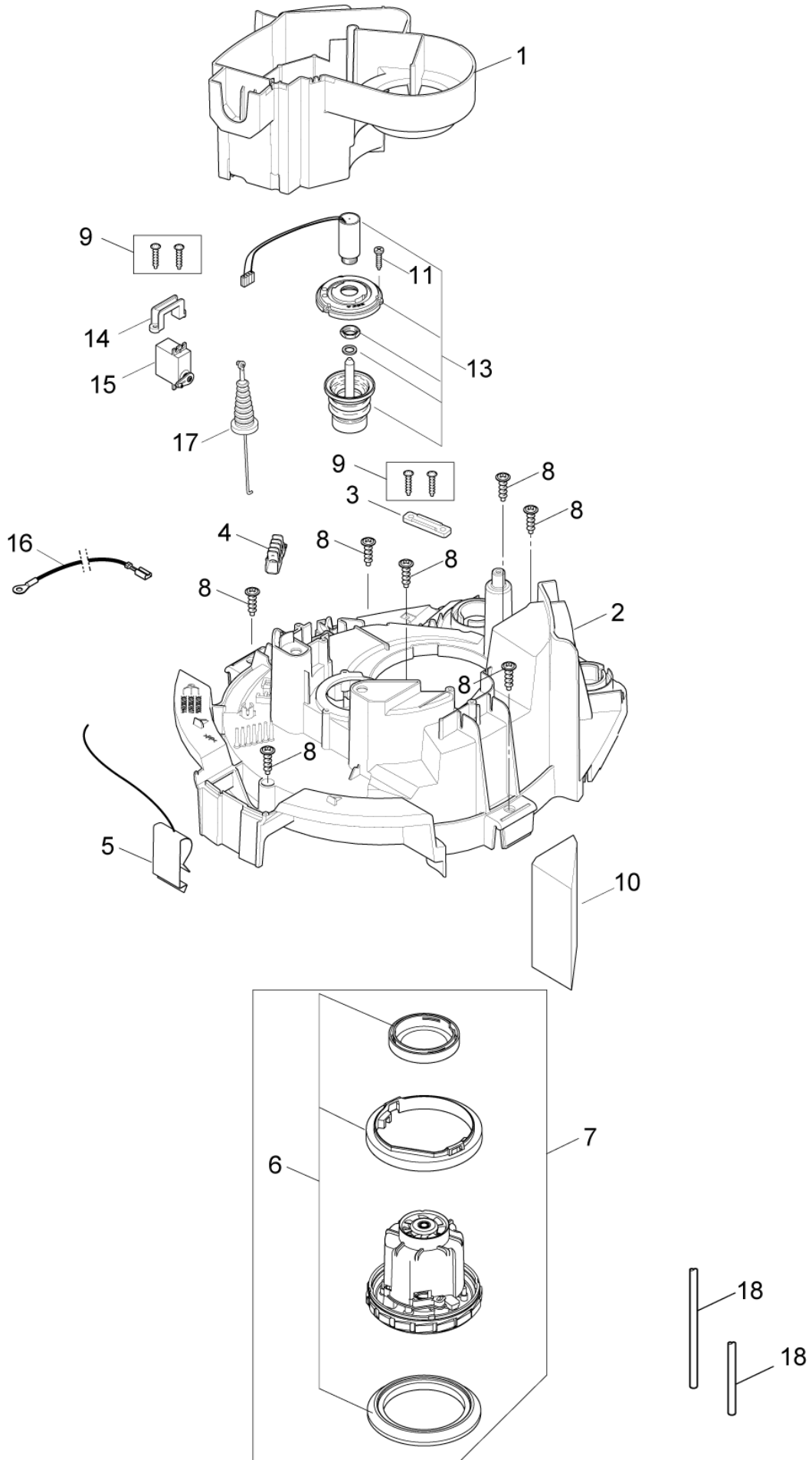
# Motor XC

ATTIX 50 PC, XC, EC, Clean Room

16-10-2013

Part List ID  
ATTIX3007

14



# Motor XC

ATTIX 50 PC, XC, EC, Clean Room

16-10-2013

Part List ID  
A111X3007

15

Pos	Part no.	Qty	Description
1	302004015	1	AIRGUIDE * See note
2	107400287	1	CLAMPINGPLATE XC
3	302004030	1	STRAP FOR CABLE
4	302004031	1	DISTRIBUTION STRIP 6-POL 16A
5	302004023	1	CONTACT SPRING
6	302003385	1	SEALING KIT R
7	302003384	1	MOTOR KIT 1200W 230V
7	302004006	1	MOTOR 1200W/100V JP W.GASKET
8	302004029	6	SCREW 5X18
9	302004032	2	SCREW 3.5X18
10	302004045	1	SOUND INSULATION OUTLET
11	302003319	3	SCREW KIT ATTIX/IVB
13	107400291	1	MAGNET 24V FPR 230V MACHINE
13	107400292	1	MAGNET 12V FPR 110V MACHINE
14	107400289	1	SERVO BRACKET
15	107400290	1	SERVO FOR XC
16	107400262	1	WIRE 1X200 YELLOW/GREEN
17	107400276	1	SERVO WIRE XC
18	107400309	2	HOSE D3X1.5 TURBINE SIDE XC

\* Note: During service or repair of vacuum head always change Airguide 302004015 and Cover for air circuit 107401051

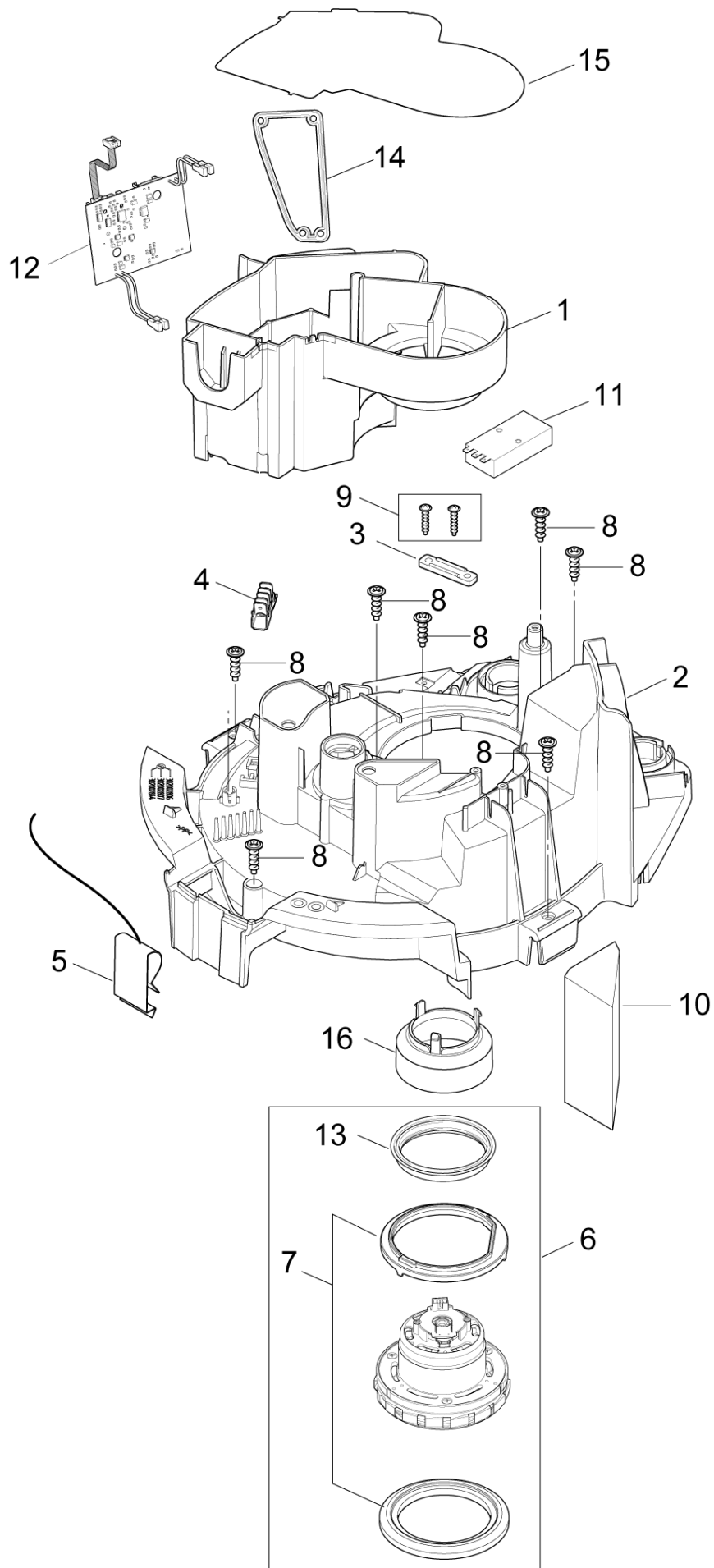
# Motor EC and Clean Room

ATTIX 50 PC, XC, EC, Clean Room

16-10-2013

Part List ID  
ATTIX5008

16





# Motor EC and Clean Room

ATTIX 50 PC, XC, EC, Clean Room

16-10-2013

Part List ID  
A111X5008

17

Pos	Part no.	Qty	Description	
1	302004015	1	AIRGUIDE	* See note
2	302004009	1	CLAMPINGPLATE PC	
3	302004030	1	STRAP FOR CABLE	
4	302004031	1	DISTRIBUTION STRIP 6-POL 16A	
5	302004023	1	CONTACT SPRING	
6	107400042	1	MOTOR EC SET	
7	302003648	1	SEALING KIT R	
8	302004029	1	SCREW 5X18	
9	302004032	1	SCREW 3.5X18	
10	302004045	1	SOUND INSULATION OUTLET	
11	107402619	1	SCREENING FILTER KIT	
12	107400044	1	ELECTRONIC EC MOTOR KIT	
13	47364	1	PACKING RING 108X86X18	
14	107401050	1	INNER SEALING ATTIX 30-40-50	EC and Clean Room
15	107401051	1	COVER FOR AIR CIRCUIT	Clean Room - * See note
16	107401936	1	HOOD FOR EC	

\* Note: During service or repair of vacuum head always change Airguide 302004015 and Cover for air circuit 107401051

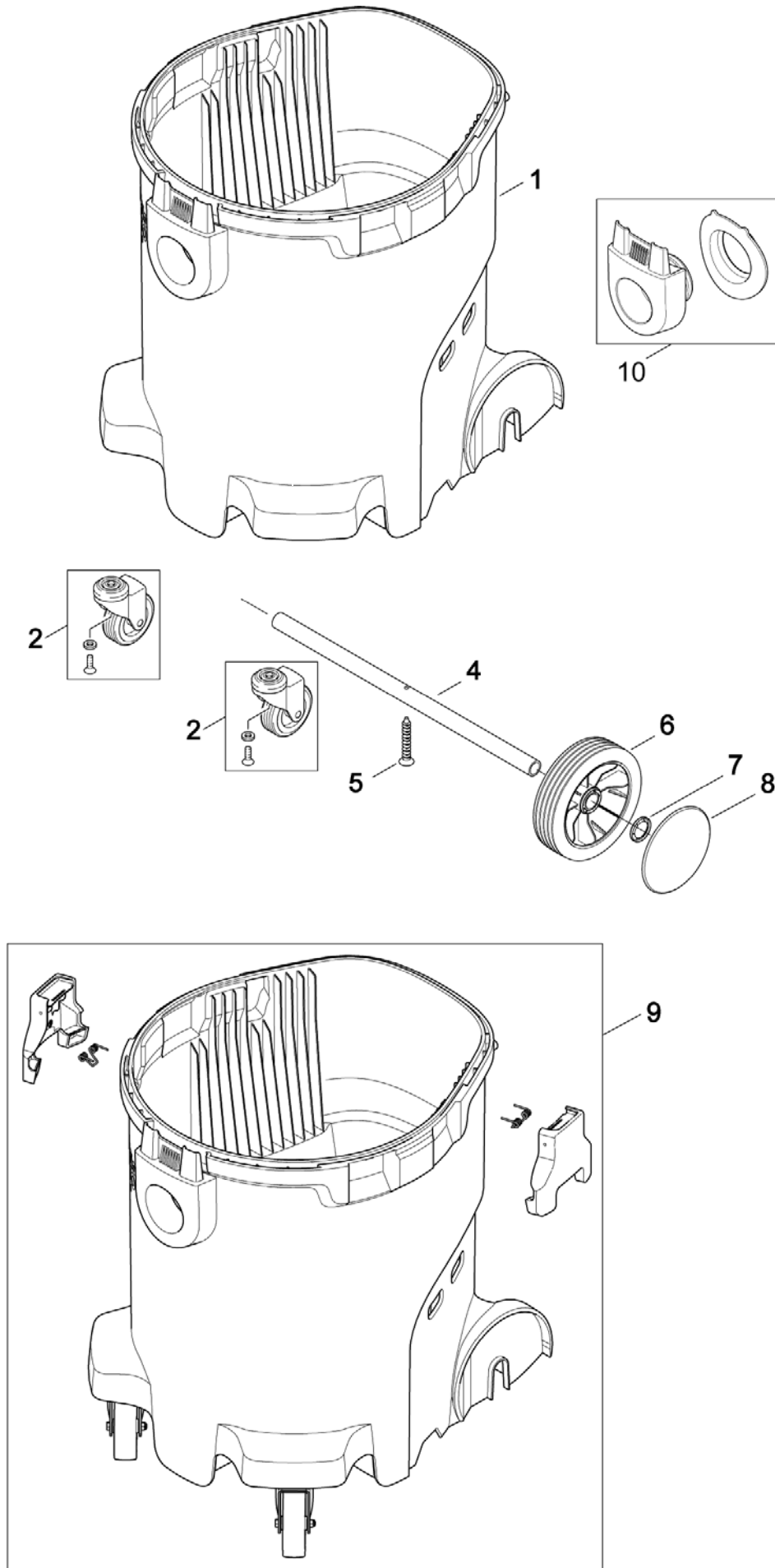
# Container ATTIX 50

ATTIX 50 PC, XC, EC, Clean Room

16-10-2013

Part List ID  
ATTIX5006

18



# Container ATTIX 50

ATTIX 50 PC, XC, EC, Clean Room

16-10-2013

Part List ID  
A11IX5006

19

Pos	Part no.	Qty	Description	
1	107400305	1	CONTAINER WITH FITTING ATTIX50	* SEE NOTE
2	302004059	2	FRONT WHEEL FOR CONTAINER	
4	302004022	1	WHEEL AXLE	
5	107400063	1	SCREW 5X35	
6	302000639	2	WHEEL D150X20 BLACK	
7	47302	2	CLAMPING RING 28.6 20	
8	67050	2	HUB CAP	
9	107400312	1	CONTAINER KIT ATTIX 50	* SEE NOTE
10	107402742	1	INLET - KIT FOR ATTIX 30/50	

\* NOTE TSB Vac-092 clamp and container

For machines produced before serial number 09110030030 use Container upgrade kit 107400312

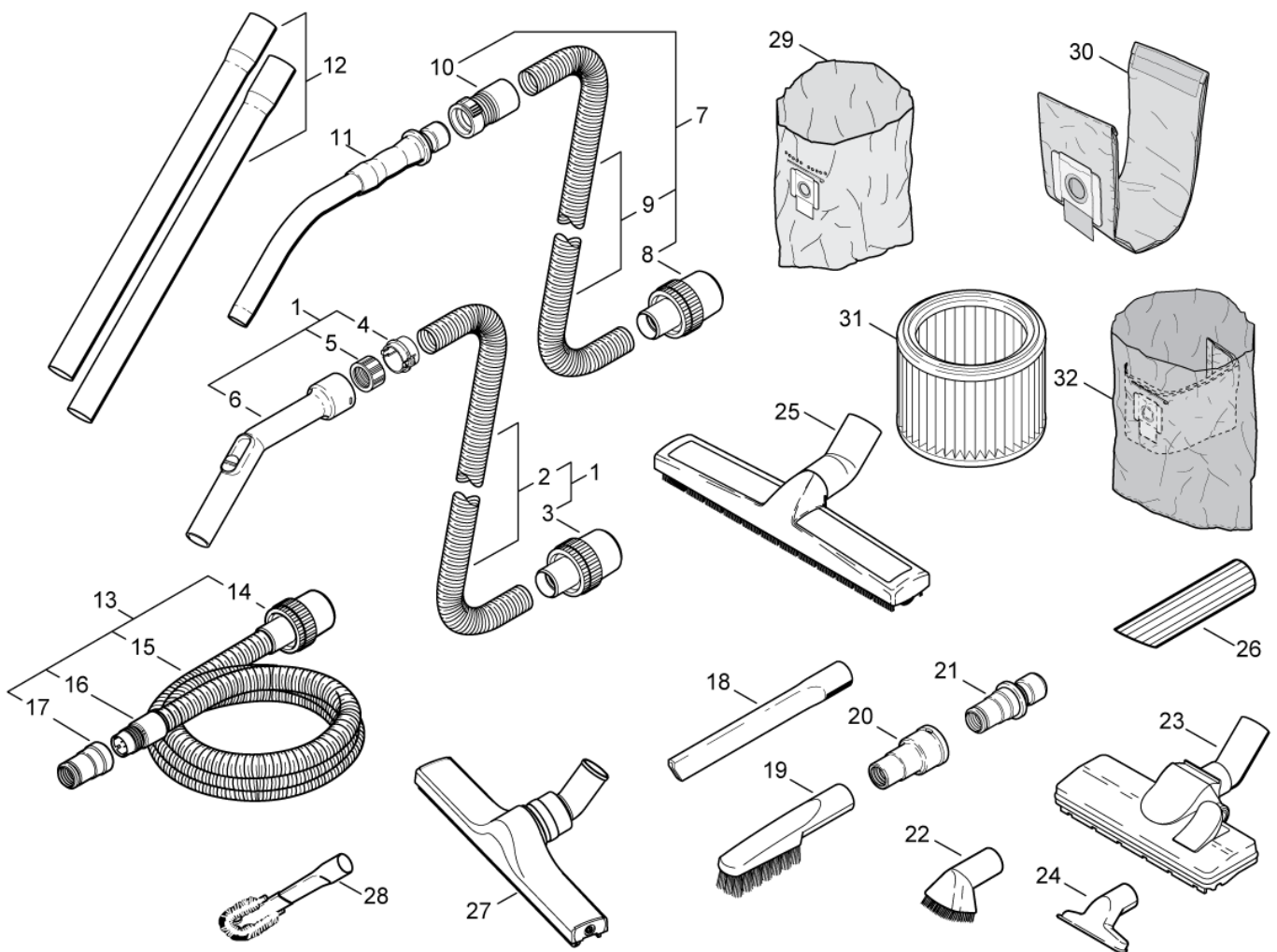
# Default accessories

ATTIX 50 PC, XC, EC, Clean Room

16-10-2013

Part List ID  
ATTIX5010

20



# Default accessories

## ATTIX 50 PC, XC, EC, Clean Room

16-10-2013

Part List ID  
A11IX5010

21

Pos	Part no.	Qty	Description	
1	302000473	1	UNIV HOSE WITH HAND TUBE Ø36X3000	
2	14240	1	HOSE UNIVERSAL Ø32 EVA PER METRE	
3	15103	1	HOSE SLEEVE Ø32/50 ABS	
4	61154	1	RING Ø32 PP	
5	302000476	1	BUSHING Ø32 PP	
6	60911	1	CURVED HAND TUBE Ø32/Ø35 ABS	
7	46948	1	UNI. HOSE Ø36X3000MM W COUPLING EVA	
8	15102	1	HOSE SLEEVE Ø36/50 ABS	
9	11985	1	HOSE UNIVERSAL Ø36 EVA PER METRE	
10	46690	1	HOSE SLEEVE Ø36MM B1/AS POM-EL	
11	302000528	1	CURVED HAND TUBE D36MM CR	
12	107400032	1	EXTENSION TUBE D36 2X500MM ALU	
12	15546	1	EXTEN TUBE Ø36 2X505MM SS	
12	302000529	1	EXTEN TUBE D36 2X505MM ST/CR	
13	15325	1	HOSE D27X3500 AS WITH TOOL ADAPTER	
14	15369	1	HOSE SLEEVE Ø27/50 AS	
15	15326	1	HOSE AS Ø27 EVA PER METRE	
16	63509	1	HOSE SLEEVE D27	
17	107404520	1	TOOL ADAPTER D27/36-24 AS	
18	6084	1	CREVICE NOZZLE Ø36X300 PP	
19	6086	1	BRUSH NOZZLE Ø36X230 PP/PA	
20	60916	1	TOOL SOCKET D27/35/38	
21	302000535	1	TOOL ADAPTER D27 QUICKSYSTEM	
22	5146	1	BRUSH NOZZLE Ø36X70	
23	302000477	1	COMBI NOZZLE Ø36X260MM PP	
24	14295	1	UNIVERSAL NOZZLE D36X115	
25	60356	1	FLOOR NOZZLE Ø36X360MM WET/DRY	
26	5067	1	DIA. TUBE NOZZLE Ø36x190 MM GREY RUBBER	
27	302003666	1	INDST.FL.NOZZ.36X400MM W/BRUS.	
27	302003796	1	REPLACEMENT BRUSH STRIPS. SET OF 2 PCS	For floor nozzle 302003666
27	302003797	1	REPLACEMENT RUBBER LIPS. SET OF 2 PCS	For floor nozzle 302003666
28	5144	1	RADIATOR BRUSH NOZZLE Ø36X420	
29	302000728	1	DISPOSAL BAG ATTIX 5/50 5 PCS	
30	302004004	1	FLEECE FILTER BAG 5 PCS ATTIX 40/50	
31	302000490	1	FILTER ELEMENT Ø185X140 PET M-CLASS	
50	107400453	1	FILTER FOR MOTOR COOLING 30/40/50	See link
50	302000490	1	FILTER ELEMENT Ø185X140 PET M-CLASS	See link
50	302002842	1	FLAT FILTER PET NANO M-CLASS SET 2 PCS	See link
50	302003717	1	EXHAUST AIR COLLECTOR	See link
50	302003721	1	MOTOR COOLING FILTER KIT	See link

# RECOMMENDED SPARE PARTS

ATTIX 50 PC, XC, EC, Clean Room

16-10-2013

Part List ID

ATTIX5014

22

No Drawing For Part List

# RECOMMENDED SPARE PARTS

ATTIX 50 PC, XC, EC, Clean Room

16-10-2013

Part List ID  
AI11X5014

23

Pos	Part no.	Qty	Description	
1	107400042	1	MOTOR EC SET	
1	107400044	1	ELECTRONIC EC MOTOR KIT	
1	107400056	1	GASKET FOR CONTAINER	ATTIX 50
1	107400057	1	SOCKET 16A/110V GB	
1	107400058	1	SOCKET 16A/250V GB	
1	107400059	1	SOCKET 16A/250V CH	
1	107400060	1	SOCKET 16A/250V DK	
1	107400064	1	TUBE HOLDER SNAP	
1	107400260	1	AUTO ON-OFF PCB XC 230-240V	230-240V
1	107400261	1	AUTO ON-OFF PCB XC 100-120V	100-120V
1	107400266	1	CORD H05RR-F 2X0.75 CH	
1	107400267	1	CORD H05RR-F 3G1.0 CH	
1	107400268	1	CORD H05RR-F 2X0.75 GB	
1	107400270	1	CORD H05RR-F 3G1.5 BS1 363 GB	
1	107400271	1	CORD H07BQ-F 3G2.5 GB	
1	107400272	1	CORD H05RR-F 3G1.5 ZA	
1	107400274	1	O-RING XC KIT	FILTERSYSTEM XC
1	107400276	1	SERVO WIRE XC	
1	107400277	1	CX FLAP KIT	FILTERSYSTEM XC
1	107400283	1	SEALING FOR XC	FILTERSYSTEM XC
1	107400287	1	CLAMPINGPLATE XC	
1	107400290	1	SERVO FOR XC	
1	107400291	1	MAGNET 24V FPR 230V MACHINE	
1	107400292	1	MAGNET 12V FPR 110V MACHINE	
1	107400300	1	BASEPLATE XC	FILTERSYSTEM XC
1	107400301	1	CONTAINER CLAMP	SEE NOTE*
1	107400309	1	HOSE D3X1.5 TURBINE SIDE XC	
1	107400312	1	CONTAINER KIT ATTIX 50	SEE NOTE*
1	107400453	1	FILTER FOR MOTOR COOLING 30/40/50	ONLY CLEAN ROOM
1	107400730	1	ELECTRONICS 21 PC EC 230V SET1	
1	107401050	1	INNER SEALING ATTIX 30-40-50	EC AND CLEAN ROOM
1	107401051	1	COVER FOR AIR CIRCUIT	CLEAN ROOM - SEE NOTE
1	107401936	1	HOOD FOR EC	EC AND CLEAN ROOM
1	107402255	1	FILTER MOUNTING KIT XC	FILTERSYSTEM XC FROM 2009
1	107402255	1	FILTER MOUNTING KIT XC	
1	107402619	1	SCREENING FILTER KIT	
1	107402641	1	POWER CORD H05RR-F 3G1.5X8.2	
1	107402642	1	POWER CORD H05RR-F 3G1.0X8.2	
1	107402644	1	POWER CORD H05RR-F2X0.75X8.25	
1	107402646	1	FILTER SUPPORT CAGE ATTIX PP	

\* NOTE TSB Vac-092 clamp and container

For machines produced before serial number 09110030030 use Container upgrade kit 107400311, ATTIX 30 or 107400312, ATTIX 50

# RECOMMENDED SPARE PARTS

ATTIX 50 PC, XC, EC, Clean Room

16-10-2013

Part List ID  
AI11X5014

24

Pos	Part no.	Qty	Description	
1	302000460	1	GASKET FILTER	
1	302000490	1	FILTER ELEMENT Ø185X140 PET M-CLASS	
1	302000639	1	WHEEL D150X20 BLACK	
1	302000728	1	DISPOSAL BAG ATTIX 5/50 5 PCS	
1	302000882	1	POWER CORD SJTW-AWG16/3X8	
1	302001095	1	FILTER ELEMENT Ø185X140 HEPA	HEPA
1	302002842	1	FLAT FILTER PET NANO M-CLASS SET 2 PCS	FILTERSYSTEM XC
1	302002842	1	FLAT FILTER PET NANO M-CLASS SET 2 PCS	
1	302003384	1	MOTOR KIT 1200W 230V	
1	302003385	1	SEALING KIT R	
1	302003388	1	MOTOR KIT 1000W 120V	
1	302003648	1	SEALING KIT R	
1	302003717	1	EXHAUST AIR COLLECTOR	ONLY CLEAN ROOM
1	302003721	1	MOTOR COOLING FILTER KIT	ONLY CLEAN ROOM
1	302004004	1	FLEECE FILTER BAG 5 PCS ATTIX 40/50	
1	302004006	1	MOTOR 1200W/100V JP W.GASKET	
1	302004007	1	BASEPLATE PC	
1	302004008	1	GASKET FOR CONTAINER	ATTIX 30
1	302004009	1	CLAMPINGPLATE PC	
1	302004011	1	AUTO ON-OFF SWITCH ELECTRONIC	FOR -21 PC
1	302004014	1	CORD H07RN-F2X1X8.05 CEE7 EU	
1	302004015	1	AIRGUIDE	SEE NOTE**
1	302004023	1	CONTACT SPRING	
1	302004027	1	TUBE HOLDER HOOK	
1	302004034	1	SOCKET 16A/250V EU	
1	302004035	1	ON-OFF SWITCH	FOR -01 PC WITHOUT SOFTSTART
1	302004036	1	SOCKET 16A/250V FR	
1	302004038	1	POWER CORD H07RN-F2X1X8.05	
1	302004039	1	CORD H05RR-F3GX0.75AS3112 AUNZ	
1	302004040	1	CORD SJTW-A AWG16/2 JP	
1	302004058	1	PLUG FOR BASIC	
1	302004059	1	FRONT WHEEL FOR CONTAINER	
1	302004060	1	AUTO ON-OFF SWITCH E.SOFTSTART	FOR -11 PC & -01 PC WITH SOFTSTART
1	302004338	1	SOCKET 15A/125V US/CSA	
1	47302	1	CLAMPING RING 28.6 20	
1	47364	1	PACKING RING 108X86X18	

\* NOTE TSB Vac-092 clamp and container

For machines produced before serial number 09110030030 use Container upgrade kit 107400311, ATTIX 30 or 107400312, ATTIX 50