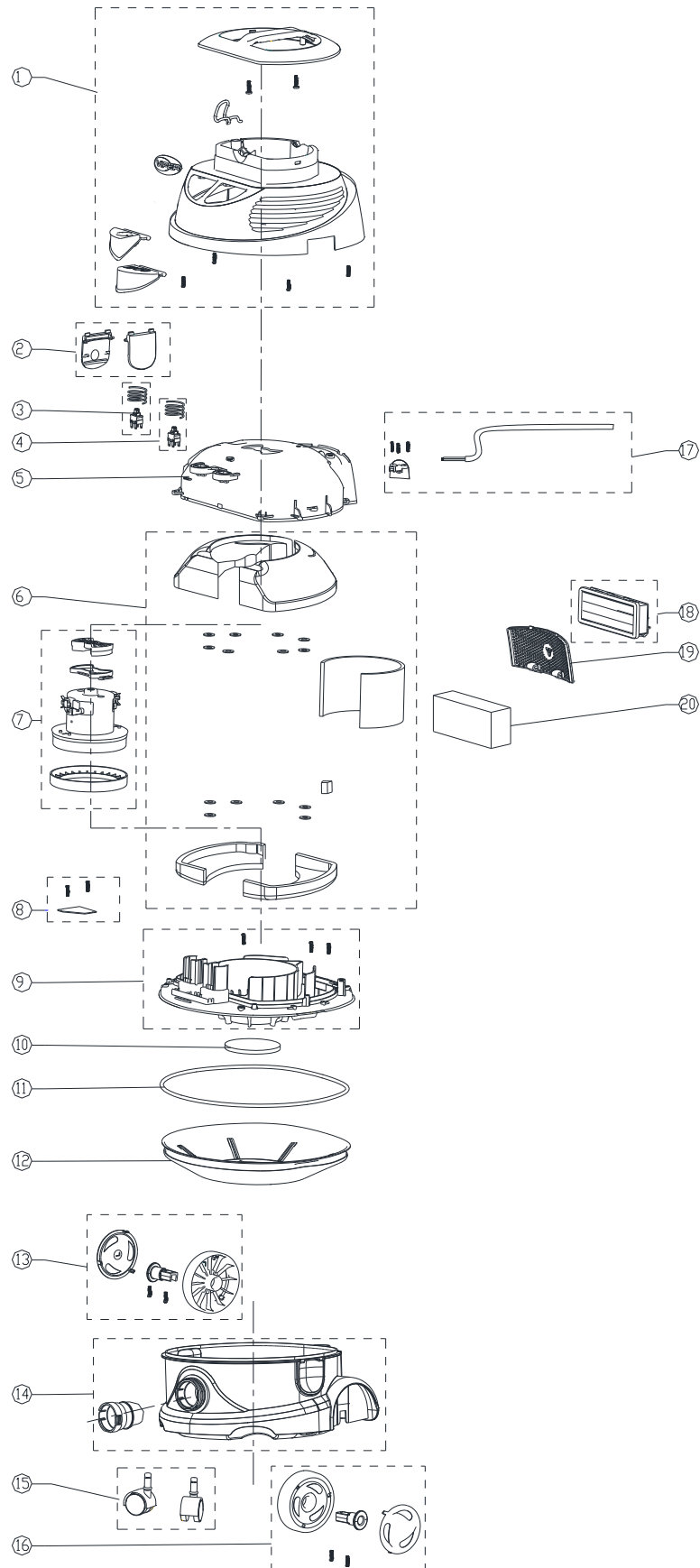


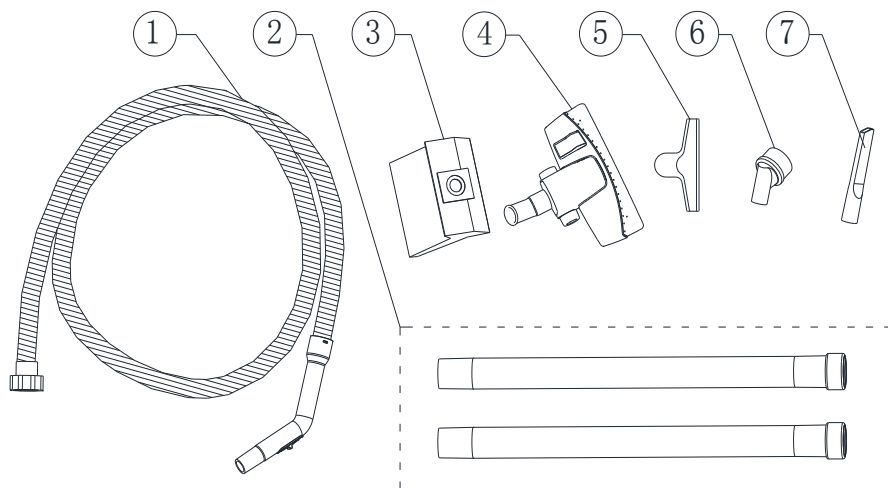
# DSU12-EU/TR /UK PART LIST



## EAGLE2-12/15 PART LIST

DIA NO	PART NUMBER	PART DISCRIPTION	QTY
1	VA81375	DSU12/DSU15 MACHINE HEAD COVER KIT	1
2	VA81360	EAGLE2 LATCH KIT	1
3	VA81361	DSU12/DSU15 FOUR FEET SWITCH KIT	1
4	VA81377	DSU12/DSU15 TWO FEET SWITCH KIT	1
5	VA85029	DSU12 AND DSU10 MOTOR COVER KIT	1
6	VA81378	DSU12/DSU15 NOISE REDUCTION SPONGE KIT	1
7	VA81379	DSU12 AND DSU15 MOTOR ASSEMBLY KIT	1
8	VA81374	PCBA AND FIXING SCREW KIT	1
9	VA81380	DSU12/DSU15 MOTOR MOUNTING BASE KIT	1
10	VA85064	EAGLE2 MOTR FRONT FILTER PLATE	1
11	VA81211	DSU12 AND DSU15 GASKET KIT	1
12	VA81231	DSU12 AND DSU15 MAIN FILTER KIT	1
13	VA81368	EAGLE2 RIGHT REAR BIG WHEEL KIT	1
14	VA81381	DSU12 TANK + INTAKE KIT	1
	VA81382	DSU15 TANK + INTAKE KIT	1
15	VA81599	40mm CASTER KIT	1
16	VA81371	EAGLE2 LEFT REAR BIG WHEEL KIT	1
17	VA81383	DSU12/DSU15 EU POWER CORD KIT	1
	VA81384	DSU12/DSU15 UK POWER CORD KIT	1
18	VA85065	EAGLE2 HEPA KIT OPTIONAL	1
19	VA85032	DSU12 AND DSU15 EXHAUST COVER KIT	1
20	VA81218	EAGLE2 AIR EXHAUST SPONGE KIT	1

## EAGLE2 Common Accessories



DIA NO	PART NUMBER	PART DISCRIPTION	MACHINE	QTY
1	VA81232	2M SUCTION HOSE ASSY	DSU12/DSU15	1
2	VA81373	E-COATING IRON SUCTION TUBE ASSEMBLY	DSU12/DSU15	1
3	VA81223-003	12L HEPA BAG	DSU12	1
	VA81223-004	15L HEPA BAG	DSU15	1
	VA81410	12L SMS BAG OPTIONAL	DSU12	1
	VA81411	15L SMS BAG OPTIONAL	DSU15	1
4	VA85059	COMBINATION TOOL	DSU12/DSU15	1
5	VA81227	UPHOLSTERY TOOL	DSU12/DSU15	1
6	VA81226	DUSTING TOOL	DSU12/DSU15	1
7	VA20805-001	CREVICE TOOL	DSU12/DSU15	1

### EAGLE2 Wear and Tear Parts

ITEM	PART NUMBER	PART DISCRIPTION	MACHINE	QTY
1	VA81232	2M SUCTION HOSE ASSY	DSU12/DSU15	1
2	VA81373	E-COATING IRON SUCTION TUBE ASSEMBLY	DSU12/DSU15	1
3	VA81223-003	12L HEPA BAG	DSU12	1
	VA81223-004	15L HEPA BAG	DSU15	1
	VA81410	12L SMS BAG OPTIONAL	DSU12	1
	VA81411	15L SMS BAG OPTIONAL	DSU15	1
4	VA85059	COMBINATION TOOL	DSU12/DSU15	1
5	VA81227	UPHOLSTERY TOOL	DSU12/DSU15	1
6	VA81226	DUSTING TOOL	DSU12/DSU15	1
7	VA20805-001	CREVICE TOOL	DSU12/DSU15	1
8	VA81218	EAGLE2 AIR EXHAUST SPONGE KIT	DSU12/DSU15	1