

# POSEIDON 4

---

Model:

POSEIDON 4-18  
POSEIDON 4-25  
POSEIDON 4-28  
POSEIDON 4-29  
POSEIDON 4-30  
POSEIDON 4-36  
POSEIDON 4-36  
POSEIDON 4-41



Stückliste Deutsch

02-12-2009

# Nilfisk

[www.nilfisk.com](http://www.nilfisk.com)

# Inhalt

POSEIDON 4

|                           |           |
|---------------------------|-----------|
| <b>Gehäuse</b>            | <b>3</b>  |
| <b>Rahmen</b>             | <b>5</b>  |
| <b>Motor</b>              | <b>7</b>  |
| <b>Motor - suspension</b> | <b>9</b>  |
| <b>Pumpe</b>              | <b>11</b> |
| <b>Electric box</b>       | <b>14</b> |
| <b>Zubehör/ Sonstiges</b> | <b>17</b> |
| <b>Schlauchtrommel</b>    | <b>19</b> |

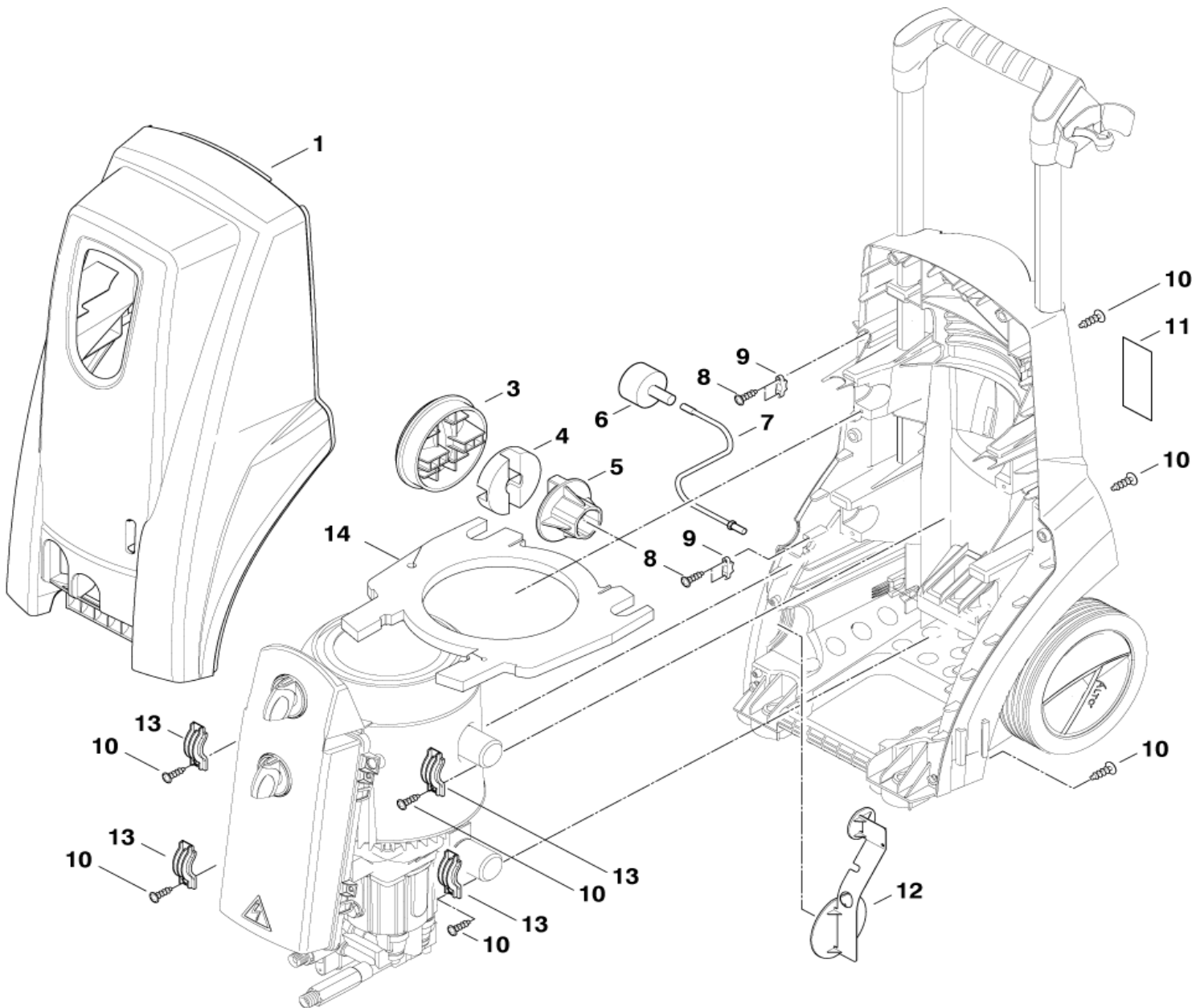
# Gehäuse

## POSEIDON 4

02-12-2009

ET-Liste-Nr.  
POSEIDON406

3



# Gehäuse

## POSEIDON 4

02-12-2009

ET-Liste-Nr.  
POSEIDON406

4

| Pos | Artikelnr. | Me | Beschreibung                              |          | EAN        |
|-----|------------|----|---|----------|------------|
| 1   | 301002782  | 1  | HAUBE BEDRUCKT POSEIDON                   | Standard | 4005337115 |
| 3   | 6528435    | 1  | DREHKNOPF DRUCKREGULIERUN G               | optional | 5701715379 |
| 4   | 6528579    | 1  | SCHLEIFBLECH                              | optional | 5701715379 |
| 5   | 301002756  | 1  | KUPPLUNG                                  | optional | 4005337118 |
| 6   | 6528559    | 1  | MANOMETER 0-315 BAR MIT G EWINDE          | optional | 5701715379 |
| 7   | 301002777  | 1  | MANOMETERLEITUNG                          | optional | 4005337165 |
| 8   | 909100443  | 4  | 2X SCHRAUBE 3X16                          |          | 4005337119 |
| 9   | 3806262    | 1  | ZUGENTLASTUNGSBUEGEL 27,8 X7/20,8 SW PA6. |          | 5701715042 |
| 10  | 1814614    | 14 | SCHRAUBE 5X18                             |          | 5701715208 |
| 11  | 48083      | 1  | KLEBESCHILD HD-STRAHL                     |          | 4005337480 |
| 12  | 301002793  | 1  | ABDECKUNG                                 |          | 4005337123 |
| 13  | 301002296  | 4  | 4X KLAMMER                                |          | 4005337103 |
| 14  | 301003119  | 1  | WÄRMEDÄMMPLATTE                           |          | 4005337132 |

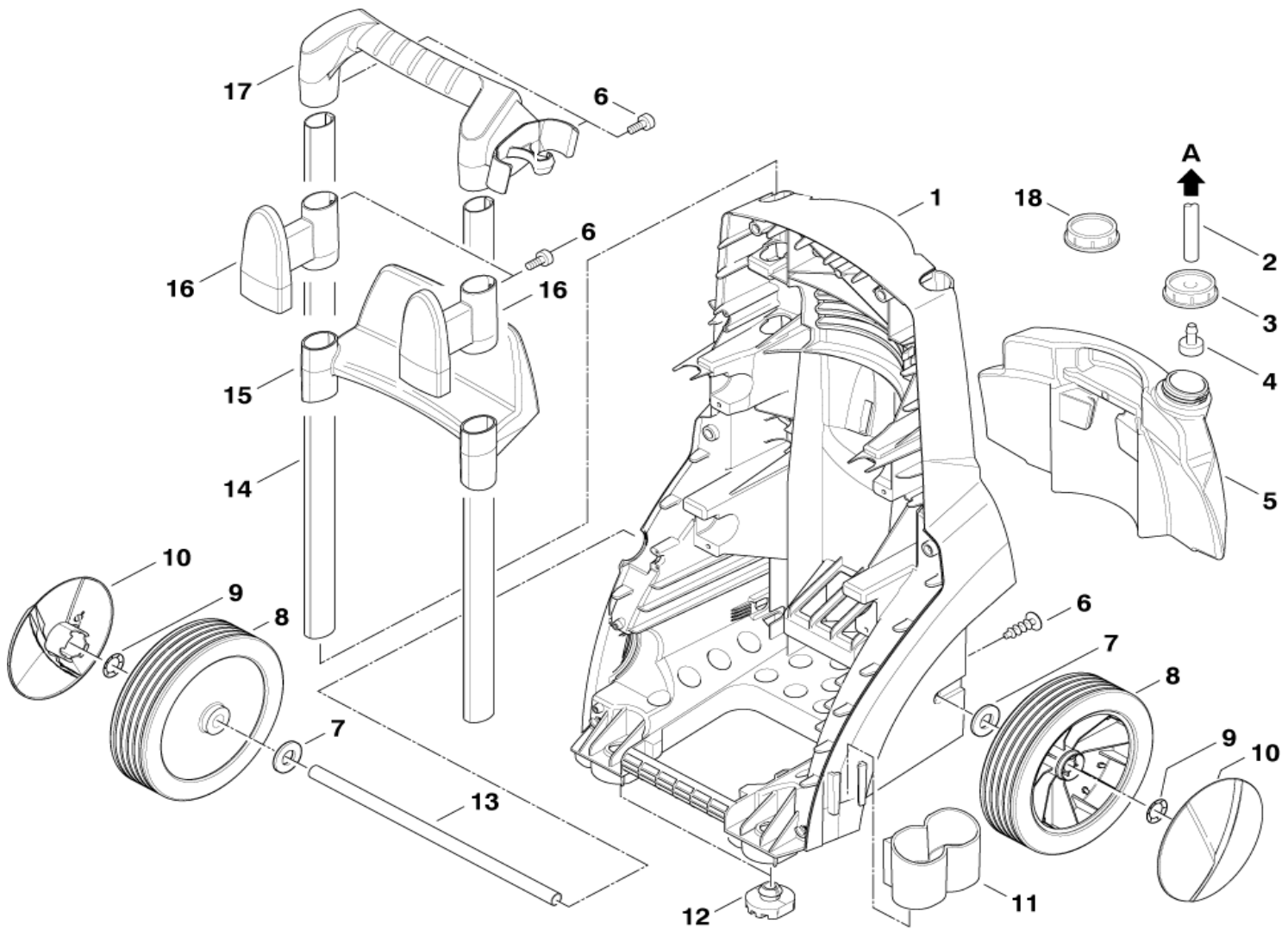
# Rahmen

POSEIDON 4

02-12-2009

ET-Liste-Nr.  
POSEIDON405

5



# Rahmen

## POSEIDON 4

02-12-2009

ET-Liste-Nr.  
POSEIDON405

6

| Pos | Artikelnr. | Me | Beschreibung                    | EAN        |
|-----|------------|----|---------------------------------|------------|
| 1   | 301002740  | 1  | GESTELL                         | 4005337115 |
| 2   | 5206636    | 1  | SCHLAUCH 6/ 10                  | 5701715046 |
|     |            |    | * SEE NOTE                      |            |
| 3   | 301001004  | 1  | DECKEL GEBOHRT 13               | 4005337028 |
| 4   | 6400240    | 1  | FILTER                          | 5701715097 |
| 5   | 301002751  | 1  | CHEMIETANK                      | 4005337115 |
| 6   | 909100425  | 4  | 1X SCHRAUBE M6X12               | 4005337105 |
| 7   | 909100426  | 2  | 2X BEILAGSCHEIBE DIN34815       | 4005337105 |
| 8   | 6528568    | 2  | RAD 200                         | 5701715379 |
| 9   | 11710      | 2  | KLEMMRING 15 (OHNE KAPPE) ST-ZN | 4005337117 |
| 10  | 6522843    | 2  | RADKAPPE BLAU                   | 5701715378 |
| 11  | 301002300  | 1  | LANZENHALTER UNTEN "POSEIDON 3" | 4005337166 |
| 12  | 301002747  | 2  | 2X FUSS                         | 4005337115 |
| 13  | 301002304  | 1  | WELLE 15X1,5                    | 4005337089 |
| 14  | 301002305  | 2  | 2X PROFIL Ø25X35                | 4005337089 |
| 15  | 301002292  | 1  | SCHLAUCHHAKEN POSEIDON 3        | 4005337089 |
|     |            |    | Standard                        |            |
| 16  | 301002745  | 2  | 2X SCHLAUCHHAKEN                | 4005337115 |
| 17  | 301002290  | 1  | HANDGRIFF                       | 4005337089 |
| 18  | 80493      | 1  | DECKEL                          | 4005337804 |

\* NOTE: PLEASE INDICATE LENGTHS IN METRES WHEN ORDERING

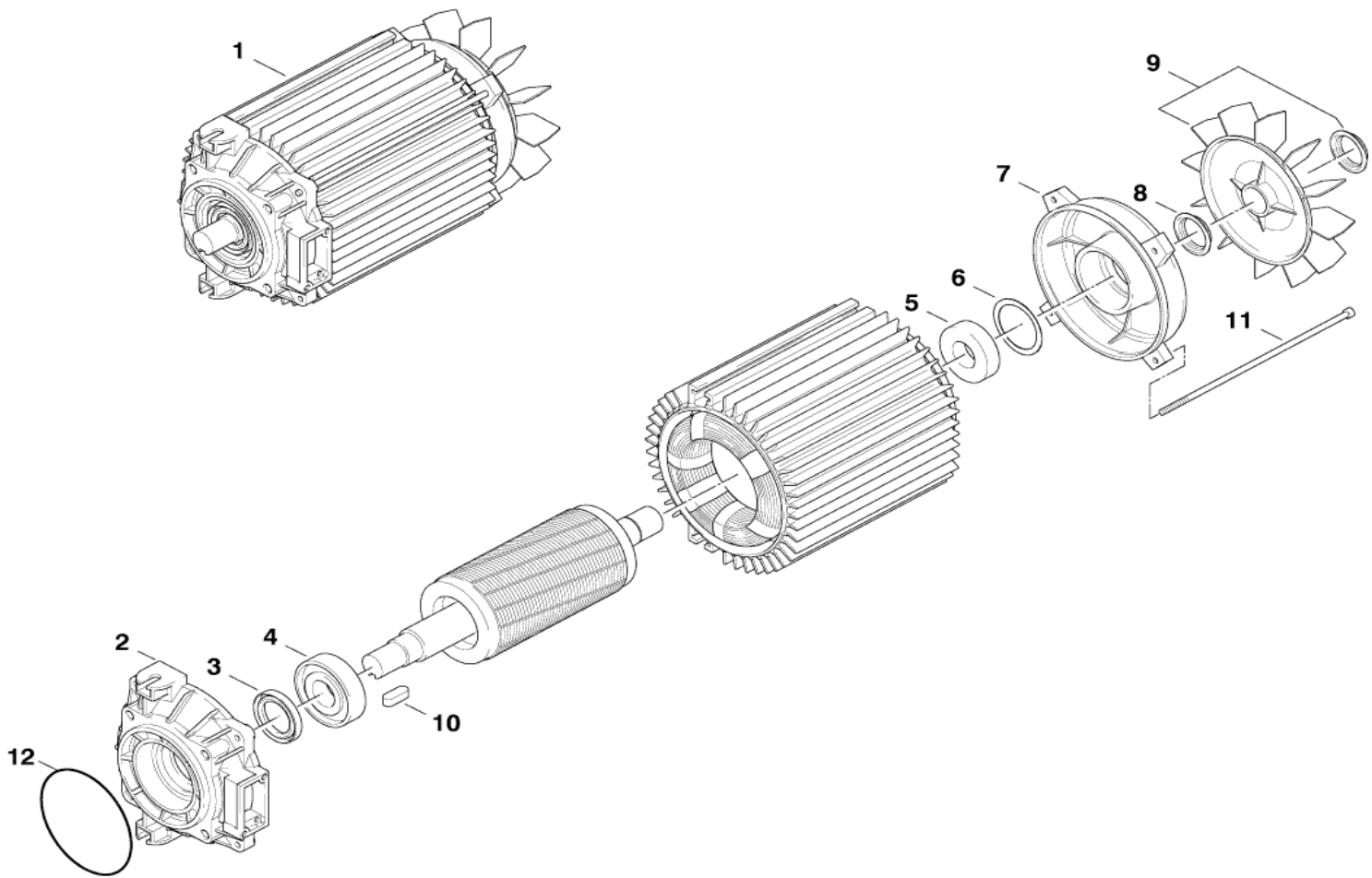
# Motor

POSEIDON 4

02-12-2009

ET-Liste-Nr.  
POSEIDON401

7



# Motor

## POSEIDON 4

02-12-2009

ET-Liste-Nr.  
POSEIDON401

8

| Pos | Artikelnr. | Me | Beschreibung             |              | EAN        |
|-----|------------|----|--------------------------|--------------|------------|
| 1   | 301003075  | 1  | MOTOR 230/1/50 3,2HP     | 230/1/50     | 4005337126 |
| 1   | 301003076  | 1  | MOTOR 230-400/3/50 4,2HP | 230-400/3/50 | 4005337126 |
| 1   | 301003123  | 1  | MOTOR 200V 60HZ          | 200V 50Hz    | 4005337139 |
| 1   | 301003123  | 1  | MOTOR 200V 60HZ          | 200V 60Hz    | 4005337139 |
| 2   | 301003077  | 1  | MOTORFLANSCH             |              | 4005337126 |
| 3   | 301003078  | 1  | ÖLDICHTUNG               |              | 4005337126 |
| 4   | 301003079  | 1  | LAGER 7305               |              | 4005337126 |
| 5   | 301003080  | 1  | LAGER 6205 ZZ            |              | 4005337126 |
| 6   | 301003081  | 1  | O-RING 52                |              | 4005337126 |
| 7   | 301003082  | 1  | LAGERDECKEL              |              | 4005337126 |
| 8   | 103004397  | 1  | DICHTUNGSRING            |              |            |
| 9   | 301003084  | 1  | LÜFTER                   |              | 4005337127 |
| 10  | 101814798  | 1  | PASSFEDER                |              |            |
| 11  | 301003085  | 4  | 4X SCHRAUBE              |              | 4005337127 |
| 12  | 61026      | 1  | O-RING 94,92X2,62        |              | 4005337610 |



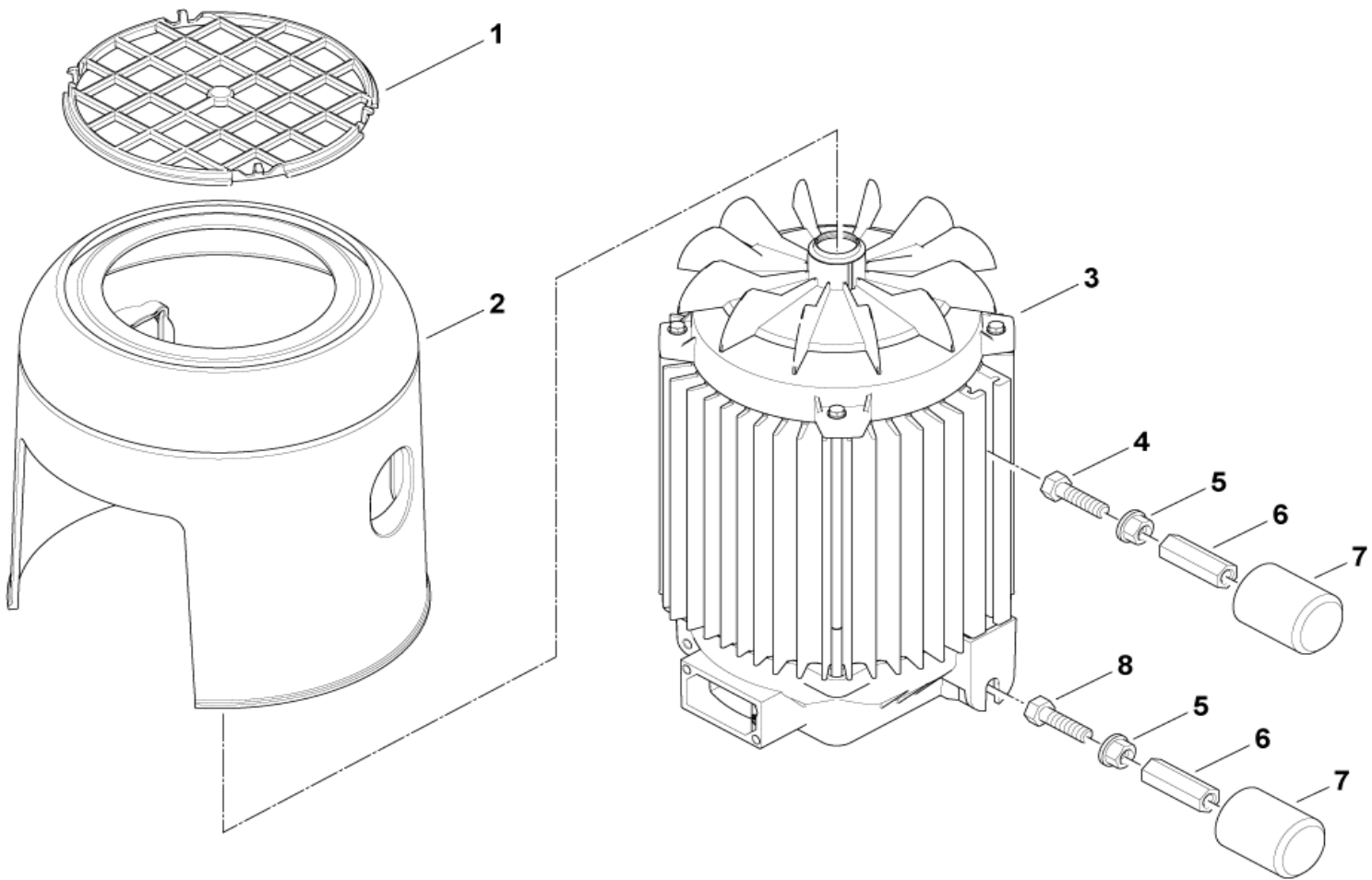
# Motor - suspension

POSEIDON 4

02-12-2009

ET-Liste-Nr.  
POSEIDON402

9



# Motor - suspension

POSEIDON 4

02-12-2009

ET-Liste-Nr.  
POSEIDON402

10

| Pos | Artikelnr. | Me | Beschreibung                             | EAN        |
|-----|------------|----|--|------------|
| 1   | 301002778  | 1  | GEHÄUSEABDECKUNG                         | 4005337118 |
| 2   | 301002299  | 1  | FILTERGEHÄUSE                            | 4005337089 |
| 3   | 301003075  | 1  | MOTOR 230/1/50 3,2HP<br>230/1/50         | 4005337126 |
| 3   | 301003076  | 1  | MOTOR 230-400/3/50 4,2HP<br>230-400/3/50 | 4005337126 |
| 4   | 2753       | 2  | SECHSKANTSCHRAUBE M8X20                  | 4005337027 |
| 5   | 61467      | 4  | SECHSKANTMUTTER M8 "TENS ILOCK" ST-ZN    | 4005337614 |
| 6   | 301002303  | 4  | 4X DISTANZHALTER                         | 4005337089 |
| 7   | 301002298  | 4  | 4X AUFHÄNGUNG                            | 4005337089 |
| 8   | 27372      | 2  | SCHRAUBE M8X20                           | 4005337273 |

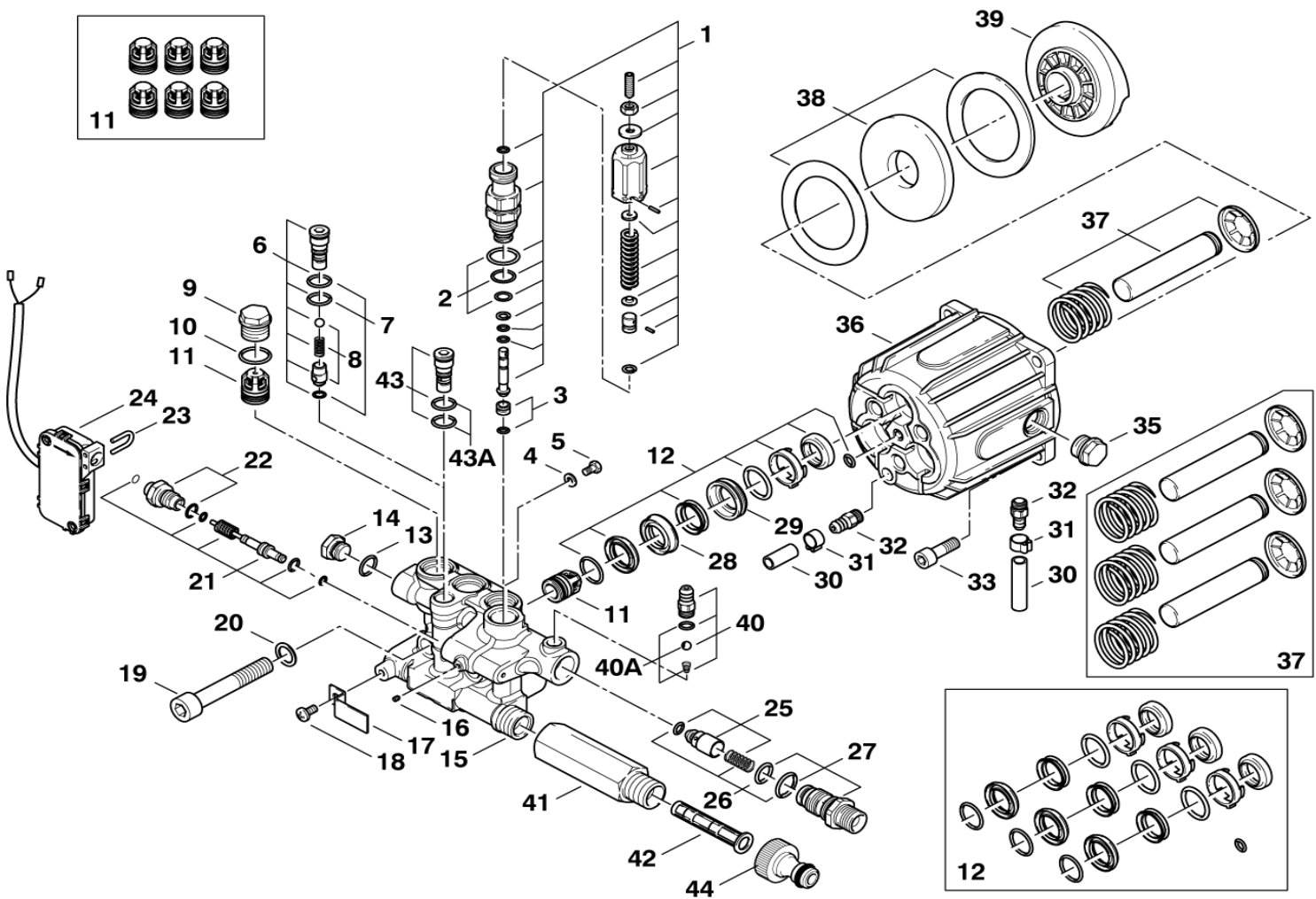
# Pumpe

POSEIDON 4

02-12-2009

ET-Liste-Nr.  
POSEIDON404

11



# Pumpe

## POSEIDON 4

02-12-2009

ET-Liste-Nr.  
POSEIDON404

12

| Pos | Artikelnr. | Me | Beschreibung                           |          | EAN        |
|-----|------------|----|--|----------|------------|
| -   | 909100414  | 1  | PUMPOIL ROTHATH 1LTR                   | 0,225 l  | 4005337103 |
| 1   | 301003031  | 1  | DRUCKREGULIERUNG SICHERHEITSREGELBLOCK |          | 4005337126 |
| 2   | 301003032  | 1  | O-RING SICHERHEITSREGELBL              |          | 4005337126 |
| 3   | 301003033  | 1  | VENTILSITZKIT                          |          | 4005337126 |
| 4   | 301003034  | 1  | O-RING 6,75X1,78                       |          | 4005337126 |
| 5   | 301003035  | 1  | SCHRAUBE M6                            |          | 4005337126 |
| 6   | 301003036  | 1  | 1X LEICHTSTARTSET                      | 1~       | 4005337126 |
| 7   | 301003037  | 1  | 1X O-RING FÜR LEICHTSTART              | 1~       | 4005337126 |
| 8   | 301003038  | 1  | 1X; FEDER FÜR LEICHTSTART              | 1~       | 4005337126 |
| 9   | 301003039  | 3  | 3X STOPFEN 15,6                        |          | 4005337126 |
| 10  | 301003040  | 3  | 3X O-RING 15,6X1,78                    |          | 4005337126 |
| 11  | 107145272  | 1  | VENTILSATZ 6 ST.                       |          | 4005337149 |
| 12  | 301003042  | 1  | KOLBENFÜHRUNGSSATZ                     |          | 4005337126 |
| 13  | 301003043  | 1  | O-RING 10,82X1,78 820510               |          | 4005337126 |
| 14  | 301003044  | 1  | STOPFEN                                |          | 4005337126 |
| 15  | 301003045  | 1  | PUMPENKOPF                             |          | 4005337126 |
| 16  | 301003046  | 1  | SCHRAUBE                               |          | 4005337126 |
| 17  | 301003047  | 1  | KLAMMER                                |          | 4005337126 |
| 18  | 301003048  | 1  | SCHRAUBE                               |          | 4005337126 |
| 19  | 301003049  | 3  | 3X SCHRAUBE M12X70                     |          | 4005337126 |
| 20  | 301003050  | 3  | 3X ZAHNSCHEIBE 12                      |          | 4005337126 |
| 21  | 301003051  | 1  | KOLBENSATZ                             |          | 4005337126 |
| 22  | 301003052  | 1  | SCHRAUBENSATZ                          |          | 4005337126 |
| 23  | 301003053  | 1  | KLEMME                                 |          | 4005337126 |
| 24  | 301003054  | 1  | MIKROSCHALTER                          |          | 4005337126 |
| 25  | 301003055  | 1  | RM- INJEKTOR                           |          | 4005337126 |
| 26  | 301003056  | 1  | O-RING SATZ                            |          | 4005337126 |
| 27  | 301003057  | 1  | INJEKTOR-SATZ                          |          | 4005337126 |
| 28  | 301001559  | 3  | THRUST COLLAR 18 NP3                   |          | 4005337052 |
| 29  | 301003059  | 3  | 3X KOLBENFÜHRUNGSSCHAFT                |          | 4005337126 |
| 30  | 301003060  | 1  | 2X SCHLAUCH                            |          | 4005337126 |
| 31  | 301003061  | 2  | 2X SCHLAUCHCLIP                        |          | 4005337126 |
| 32  | 301003062  | 2  | 2X SCHLAUCHVERBINDER                   |          | 4005337126 |
| 33  | 301003063  | 4  | SCHRAUBE 5X25                          |          | 4005337126 |
| 35  | 301003064  | 1  | STOPFEN                                |          | 4005337126 |
| 36  | 301003065  | 1  | GEHÄUSE                                |          | 4005337126 |
| 37  | 301003066  | 1  | KOLBENKIT [3X]                         |          | 4005337126 |
| 38  | 301003067  | 1  | LAGERKIT                               |          | 4005337126 |
| 39  | 301003137  | 1  | EU,1~, TAUMELSCHIBE 11Ø                | *EU,1ph* | 4005337133 |
| 39  | 301003138  | 1  | WOBBLE DISC 11,5                       | *GB,1ph* | 4005337133 |
| 39  | 301003139  | 1  | EU,3~, TAUMELSCHIBE 13Ø                | *EU,3ph* | 4005337133 |
| 39  | 301003140  | 1  | WOBBLE DISC 9                          | *AU,1ph* | 4005337133 |

# Pumpe

## POSEIDON 4

02-12-2009

ET-Liste-Nr.  
POSEIDON404

13

| Pos | Artikelnr. | Me | Beschreibung              | EAN                                 |
|-----|------------|----|---------------------------|-------------------------------------|
| 40  | 301003070  | 1  | SCHLAUCHVERBINDER         | 4005337126                          |
| 41  | 107140195  | 1  | COUPLING IN BRASS 3/4 FRO | from 01.2008, incl. pos. 41, 42, 44 |
| 41  | 301003071  | 1  | VERBINDUNGSSTÜCK          | up to 12.2007<br>4005337126         |
| 42  | 301003072  | 1  | FILTER                    | 4005337126                          |
| 43  | 301003073  | 1  | VENTILSATZ                | 3-<br>4005337126                    |
| 44  | 32541      | 1  | WASSERANSCHLUß 3/4"       | 4005337325                          |
| 9A  | 301003071  | 1  | VERBINDUNGSSTÜCK          | 4005337126                          |
| xx  | 301002752  | 1  | ADAPTER M24 - 3/8"        | 4005337115                          |
| 40A | 301003159  | 1  | SCHLAUCHVERBINDUNGSSATZ   | 4005337133                          |
| 43A | 301003160  | 1  | O-RING SATZ               | 4005337133                          |
| 41, | 301002757  | 1  | EXTENSION WATERINLET KIT  | 4005337115                          |

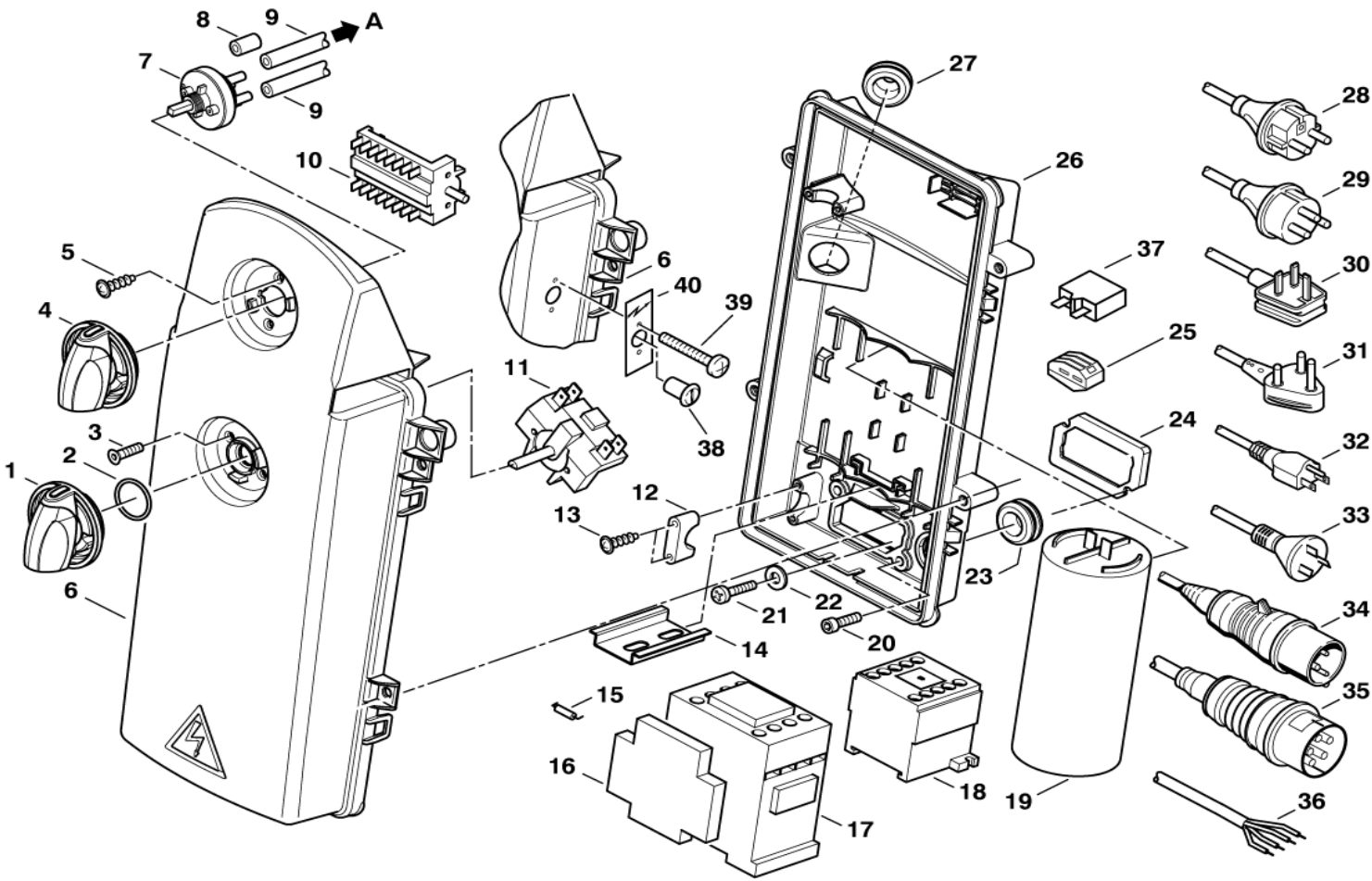
# Electric box

POSEIDON 4

02-12-2009

ET-Liste-Nr.  
POSEIDON403

14



# Electric box

POSEIDON 4

02-12-2009

ET-Liste-Nr.  
POSEIDON403

15

| Pos | Artikelnr. | Me Beschreibung                             | EAN                                 |
|-----|------------|---|-------------------------------------|
| 1   | 909100204  | 1 DREHKNOPF 6X5                             | 4005337689                          |
| 2   | 9868       | 1 O-RING 10X2,5                             | 4005337098                          |
| 3   | 18274      | 2 SENKSCHRAUBE M4X12                        | 4005337182                          |
| 4   | 909100214  | 1 DREHKNOPF 4KT.                            | 4005337026                          |
| 5   | 1814730    | 2 SCHRAUBE 3,5X10                           | 5701715363                          |
| 6   | 301002729  | 1 SWITCH BOX COVER                          | * SEE NOTE<br>4005337123            |
| 6   | 301002787  | 1 SCHALTSCHRANK GEHÄUSE, OB                 | 4005337117                          |
| 7   | 301001000  | 1 DOSIERVENTIL 51X70                        | 4005337028                          |
| 8   | 301001906  | 2 VERSCHLUßKAPPE 12X21,5 NR/SBR             | 4005337068                          |
| 9   | 5206636    | 1 SCHLAUCH 6/ 10                            | ** SEE NOTE<br>5701715046           |
| 10  | 64579      | 1 DREHSCHALTER STERN-DREIECK 16A            | * SEE NOTE<br>4005337645            |
| 11  | 301001058  | 1 NOCKENSCHALTER 10A/400VA C                | 4005337030                          |
| 12  | 3806262    | 1 ZUGENTLASTUNGSBUEGEL 27,8 X7/20,8 SW PA6. | 5701715042                          |
| 13  | 909100443  | 2 2X SCHRAUBE 3X16                          | 4005337119                          |
| 14  | 22290      | 1 GERÄTETRAGSCHIENE                         | ** SEE NOTE<br>4005337222           |
| 15  | 301000074  | 1 WIDERSTAND 470 OHM/3W                     | * SEE NOTE<br>4005337008            |
| 16  | 64773      | 1 HILFSKONTAKT 100-SBL11                    | * SEE NOTE<br>4005337647            |
| 17  | 63905      | 1 SCHÜTZ 100-C16KF10 230/5 0/60             | * SEE NOTE<br>4005337639            |
| 18  | 301002859  | 1 CONTACTOR 3SC8-18-10 400V 7,5 KW          | 400/3<br>4005337120                 |
| 19  | 301002798  | 1 KONDENSATOR 80 ÆEF 400/450                | 230V *EU*, 220V *EXP*<br>4005337165 |
| 20  | 909100424  | 2 2X SCHRAUBE M5X16                         | 4005337105                          |
| 21  | 909100423  | 1 SCHRAUBE M4X6                             | 4005337105                          |
| 22  | 4021       | 1 FÄCHERSCHEIBE A4,3                        | 4005337040                          |
| 23  | 3803772    | 1 KABELTÜLLE 7-10C                          | 5701715007                          |
| 24  | 301002283  | 1 DICHTUNG                                  | 4005337089                          |
| 25  | 301001229  | 1 FEDERKLEMME 3X4 Q MM 400V 24A GRAU        | 4005337038                          |
| 26  | 301002281  | 1 SCHALTKASTEN UNTERTEIL                    | 4005337089                          |
| 27  | 301002284  | 1 TÜLLE                                     | 4005337089                          |
| 28  | 7180226    | 1 LTG NETZ H07RN-F 3G1,5X 7 ,5 CEE7 FLH/RZ  | *EU* *EXP*<br>5701715137            |
| 30  | 7180225    | 1 ANSCHLUßKABEL, 240V 50HZ GB               | *GB*<br>4005337132                  |
| 31  | 301002337  | 1 POWER CORD RN-F 3G1.5X6M SABS 164         | *ZA*<br>4005337104                  |
| 32  | 3821649    | 1 EL-KABEL M,HOCHFREQENZREL                 | *US*<br>5701715226                  |
| 32  | 7180229    | 1 POWER CORD VCT 3X2.0X6M                   | *JP*<br>4005337134                  |
| 33  | 301002336  | 1 POWER CORD RN-F 3G1.0X6M AS3112           | *AU*<br>4005337104                  |
| 33  | 3821142    | 1 LTG NETZ H07RN-F 3G1,5X 9 ,45 M.STECKER   | *US*<br>5701715008                  |
| 34  | 7180232    | 1 ELEC. CABLE, 110V 50HZ GB                 |                                     |
| 35  | 63499      | 1 NETZKABEL H07RN-F 4G1,5 X                 | *EU* 400/3/50<br>4005337634         |
| 36  | 63501      | 1 POWER CORD H07RN-F 4G1.5X6M               | * SEE NOTE<br>4005337635            |
| 37  | 301002322  | 1 SICHERUNG 16 A                            | 4005337099                          |
| 37  | 301002324  | 1 SICHERUNG 12 A                            | 4005337099                          |
| 37  | 301002659  | 1 SICHERUNG 20A                             | 4005337112                          |
| 38  | 64580      | 1 DREHKNOPF                                 | * SEE NOTE<br>4005337645            |

\* NOTE: 230/400/3/50 \*BE\*NO\*, 220/440/3/60 \*EXP\*

\*\* NOTE: PLEASE INDICATE LENGTHS IN METRES WHEN ORDERING

# Electric box

POSEIDON 4

02-12-2009

ET-Liste-Nr.  
POSEIDON403

16

| Pos | Artikelnr. | Me | Beschreibung                        |                      | EAN        |
|-----|------------|----|-------------------------------------|----------------------|------------|
| 39  | 3389       | 2  | ZYLINDERSCHRAUBE M4X20              | * SEE NOTE           | 4005337033 |
| 40  | 64586      | 1  | KLEBESCHILD "230-400V UM SCHALTUNG" | 230/400/3/50 *BE*NO* | 4005337645 |
| 40  | 64787      | 1  | LABEL 220-440V CHANGE-OVER 74X28    | 220/440/3/60 *EXP*   | 4005337647 |

\* NOTE: 230/400/3/50 \*BE\*NO\*, 220/440/3/60 \*EXP\*

\*\* NOTE: PLEASE INDICATE LENGTHS IN METRES WHEN ORDERING



# Zubehör/ Sonstiges

POSEIDON 4

02-12-2009

ET-Liste-Nr.  
POSEIDON408

17

Keine Zeichnung zur ET-Liste

# Zubehör/ Sonstiges

POSEIDON 4

02-12-2009

ET-Liste-Nr.  
POSEIDON408

18

| Pos | Artikelnr. | Me | Beschreibung                                    | EAN                          |            |
|-----|------------|----|---|------------------------------|------------|
| 1   | 301002411  | 1  | PISTOLE "ERGO 1000 VARIO PRESS"                 | 4005337090                   |            |
| 2   | 106402140  | 1  | STRAHLROHR FLEXOPOWER LANZE 1070 GEBOGEN O.DÜSE | 5701715324                   |            |
| 2   | 106402140  | 1  | STRAHLROHR FLEXOPOWER LANZE 1070 GEBOGEN O.DÜSE | 5701715324                   |            |
| 2   | 106402141  | 1  | STRAHLROHR FLEXOPOWER LANZE 920 GEBOGEN O. DÜSE | 5701715324                   |            |
| 2   | 106402142  | 1  | STRAHLROHR FLEXOPOWER LANZE 890 MM OHNE DÜSE    | 5701715349                   |            |
| 3   | 101119736  | 1  | HD-DÜSE 0350 TORNADO BORDEAUX 1/8"              | 4-29, 2-29 XT, 4-30, 4-30 XT | 5701715324 |
| 3   | 101119738  | 1  | HD-DÜSE 0400 TORNADO GRAUMETALLIC 1/8"          | 4-28, 4-28 XT                | 5701715324 |
| 3   | 101119740  | 1  | HD-DÜSE 0450 TORNADO HELLBLAU 1/8"              | 4-35, 4-36, 4-36 XT          | 5701715324 |
| 3   | 101119746  | 1  | HD-DÜSE 0650 TORNADO HELL GRÜN                  | 4-31                         | 5701715324 |
| 4   | 1401983    | 1  | HD-SCHLAUCH DN10X15M 3/8"                       | XT                           | 5701715022 |
| 4   | 6101767    | 1  | HD-SCHLAUCH DN10X10M SL GRAU 3/8"               | Standard                     | 5701715064 |
| 5   | 301002701  | 1  | SCHLAUCHTROMMELKIT POSEIDON 4                   | XT                           | 4005337114 |

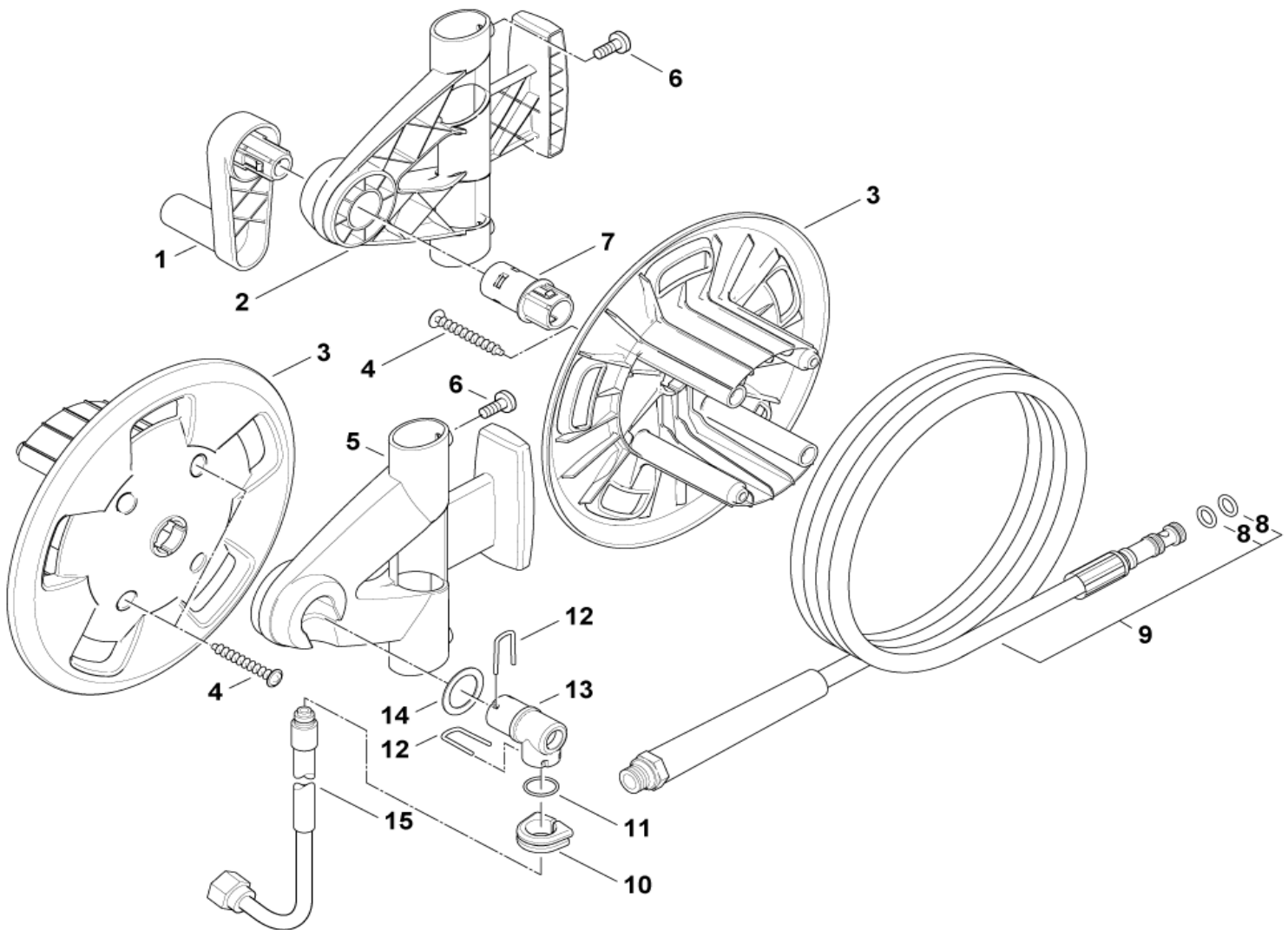
# Schlauchtrommel

POSEIDON 4

02-12-2009

ET-Liste-Nr.  
POSEIDON407

19



# Schlauchtrommel

POSEIDON 4

02-12-2009

ET-Liste-Nr.  
POSEIDON407

20

| Pos | Artikelnr. | Me | Beschreibung                     | EAN        |
|-----|------------|----|----------------------------------|------------|
| -   | 301002701  | 1  | SCHLAUCHTROMMELKIT POSEIDON 4    | 4005337114 |
| 1   | 6528569    | 1  | KURBELGRIFF FÜR SCHLAUCHT ROMMEL | 5701715379 |
| 2   | 301002274  | 1  | ADAPTER RECHTS                   | 4005337089 |
| 3   | 6528570    | 2  | SCHLAUCHTROMMEL                  | 5701715379 |
| 4   | 1814614    | 4  | SCHRAUBE 5X18                    | 5701715208 |
| 5   | 301002272  | 1  | ADAPTER LINKS                    | 4005337089 |
| 6   | 909100425  | 4  | 1X SCHRAUBE M6X12                | 4005337105 |
| 7   | 301002273  | 1  | ADAPTER                          | 4005337089 |
| 8   | 3004321    | 2  | O-RING 10,0 X 2,0 PUR90          | 5701715280 |
| 9   | 101117763  | 1  | HP HOSE DN6 15 FOR HW AND        | 4005337160 |
| 10  | 301002746  | 1  | TÜLLE                            | 4005337115 |
| 11  | 3002144    | 1  | O-RING 14,3 X 2,4 SMS 1586 NBR70 | 5701715038 |
| 12  | 6526487    | 2  | VERSCHLUßBÜGEL RF                | 5701715239 |
| 13  | 6127990    | 1  | ANSCHLUßSTÜCK D 14 / D 14 CUZN   | 5701715419 |
| 14  | 6127995    | 1  | SCHEIBE 25 /35 X1,0 ST-ZN        | 5701715280 |
| 15  | 301002795  | 1  | SCHLAUCH 155< Ø6X850             | 4005337117 |